



# SERVICE MANUAL

COMMUNICATIONS RECEIVER

## **IC-R6**

---

---

---

---

---

S-14622XZ-C1  
Feb. 2010

Icom Inc.

---

## INTRODUCTION

This service manual describes the latest technical information for the **IC-R6 COMMUNICATIONS RECEIVER**, at the time of publication.

To upgrade quality, any electrical or mechanical parts and internal circuits are subject to change without notice or obligation.

MODEL	VERSION	SUPPLIED BATTERY CHARGER
IC-R6	EUR	-
	UK	
	CHN	
	ITA	
	USA	
	FRA	
	ESP	
	EXP	
	CAN	
	EUR-01	
	CHN-01	BC-153SC
	ITA-01	BC-196SD
	USA-01	BC-196SA
	FRA-01	BC-196SD
ESP-01		
CAN-01	BC-196SA	

## ORDERING PARTS

Be sure to include the following four points when ordering replacement parts:

1. 10-digit Icom part number
2. Component name
3. Equipment model name and unit name
4. Quantity required

### <ORDER EXAMPLE>

1110007300	NJM2552V	IC-R6	RF UNIT	2 pieces
8210026030	3250 REAR PANEL	IC-R6	CHASSIS	3 pieces

Addresses are provided on the inside back cover for your convenience.



## CAUTION

**NEVER** connect the receiver to an AC outlet or to a DC power supply that uses more than specified. This will ruin the transceiver.

**DO NOT** expose the receiver to rain, snow or any liquids.

**DO NOT** reverse the polarities of the power supply when connecting the receiver.

**DO NOT** apply an RF signal of more than 20 dBm (100 mW) to the antenna connector. This could damage the receiver's front-end.

## REPAIR NOTES

1. Make sure that the problem is internal before disassembling the receiver.
2. **DO NOT** open the receiver until the receiver is disconnected from its power source.
3. **DO NOT** force any of the variable components. Turn them slowly and smoothly.
4. **DO NOT** short any circuits or electronic parts. An insulated tuning tool **MUST** be used for all adjustments.
5. **DO NOT** keep power ON for a long time when the receiver is defective.
6. **READ** the instructions of test equipment thoroughly before connecting a test equipment to the receiver.

---

## TABLE OF CONTENTS

---

**SECTION 1 SPECIFICATIONS**

**SECTION 2 INSIDE VIEWS**

**SECTION 3 DISASSEMBLY INSTRUCTION**

**SECTION 4 CIRCUIT DESCRIPITON**

4-1	RECEIVER CIRCUITS (RF UNIT).....	4-1
4-2	AF CIRCUITS (LOGIC UNIT) .....	4-3
4-3	FREQUENCY SYNTHESIZER CIRCUITS (RF UNIT) .....	4-3
4-4	VOLTAGE BLOCK DIAGRAMS .....	4-4
4-5	CPU PORT ALLOCATION.....	4-4

**SECTION 5 ADJUSTMENT PROCEDURES**

5-1	PREPARATION .....	5-1
5-2	FREQUENCY ADJUSTMENT .....	5-2
5-3	RECEIVE ADJUSTMENTS .....	5-3

**SECTION 6 PARTS LIST**

**SECTION 7 MECHANICAL PARTS**

**SECTION 8 BOARD LAYOUTS**

**SECTION 9 BLOCK DIAGRAM**

**SECTION 10 VOLTAGE DIAGRAM**

	LOGIC UNIT .....	11-1
	RF UNIT.....	11-3

## GENERAL

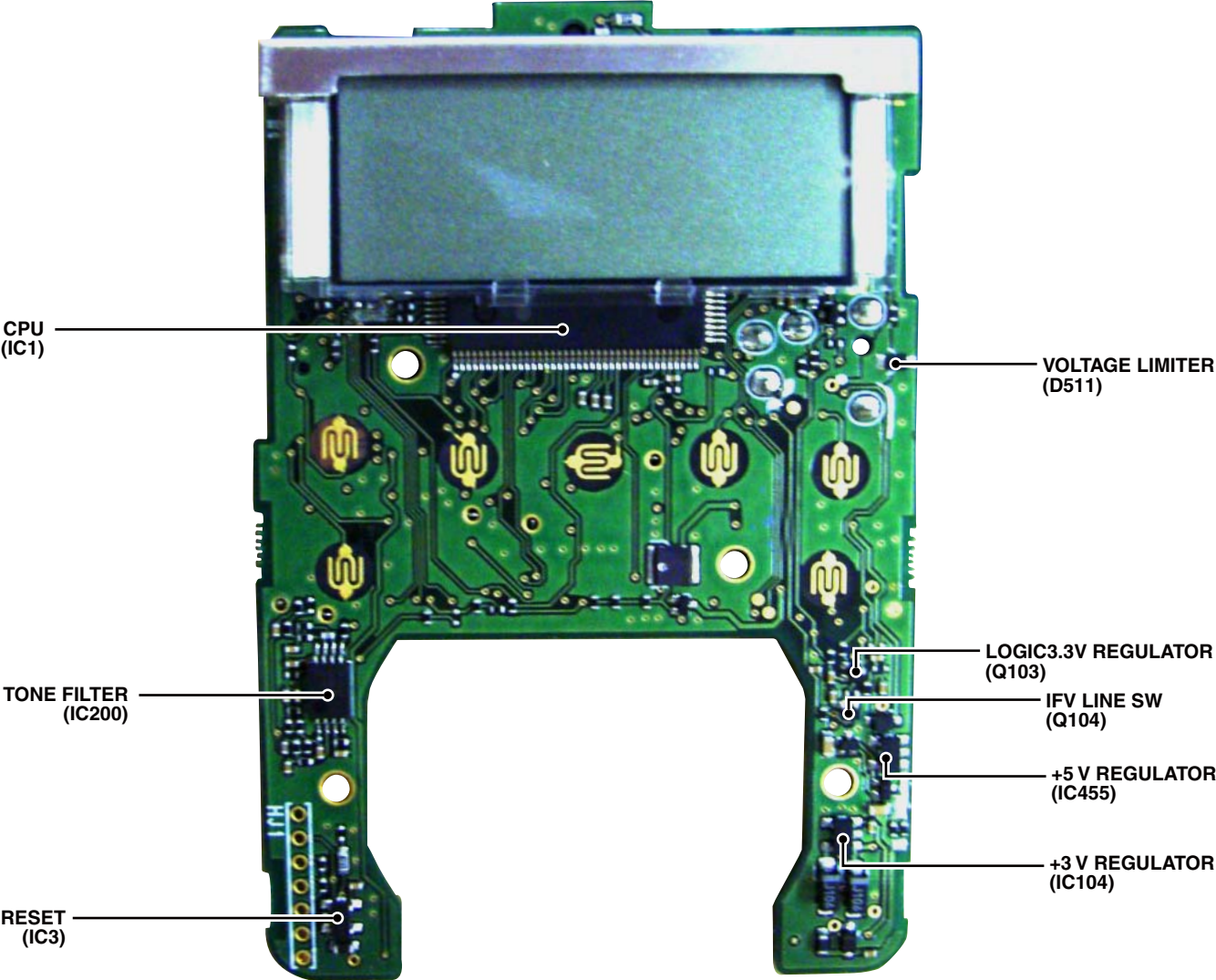
- Frequency coverage : (Unit: MHz)
  - USA 0.100–821.995,  
851.000–866.995,  
896.000–1309.995
  - France 0.100–29.995,  
50.200–51.200,  
87.500–107.995,  
144.000–146.000,  
430.000–440.000,  
1240.000–1300.000
  - Other than above 0.100–1309.995
- Number of memory channels : 1300
- Frequency resolution : 5, 6.25, 8.33\*, 9\*, 10, 12.5, 15, 20,  
25, 30, 50, 100, 125, 200 kHz
  - \* Selectable depending on the operating frequency band.
- Receive modes : FM, WFM, AM
- Operating temperature range : –10°C to +60°C; +14°F to +140°F
- Reference frequency stability : ±1.0 ppm (+25°C)
- Power supply requirement : 2 AA (R6) alkaline cells  
2 AA (R6) Ni-MH cells  
4.5 to 6.3 V DC  
(with AC adapter or CP-18A/E)
- Current drain (backlight OFF at 3.0 V DC):
  - rated audio 130 mA typical
  - receive standby 65 mA typical
  - power save 30 mA typical
  - charging 140 mA typical
- Antenna connector : SMA (50 Ω)
- Dimensions : 58(W) × 86(H) × 29.8(D) mm  
(projections not included) 2<sup>3</sup>/<sub>32</sub>(W) × 3<sup>3</sup>/<sub>8</sub>(H) × 1<sup>3</sup>/<sub>16</sub>(D) in
- Weight (approximately) : 200 g; 7.1 oz  
(with supplied antenna and batteries)

## RECEIVER

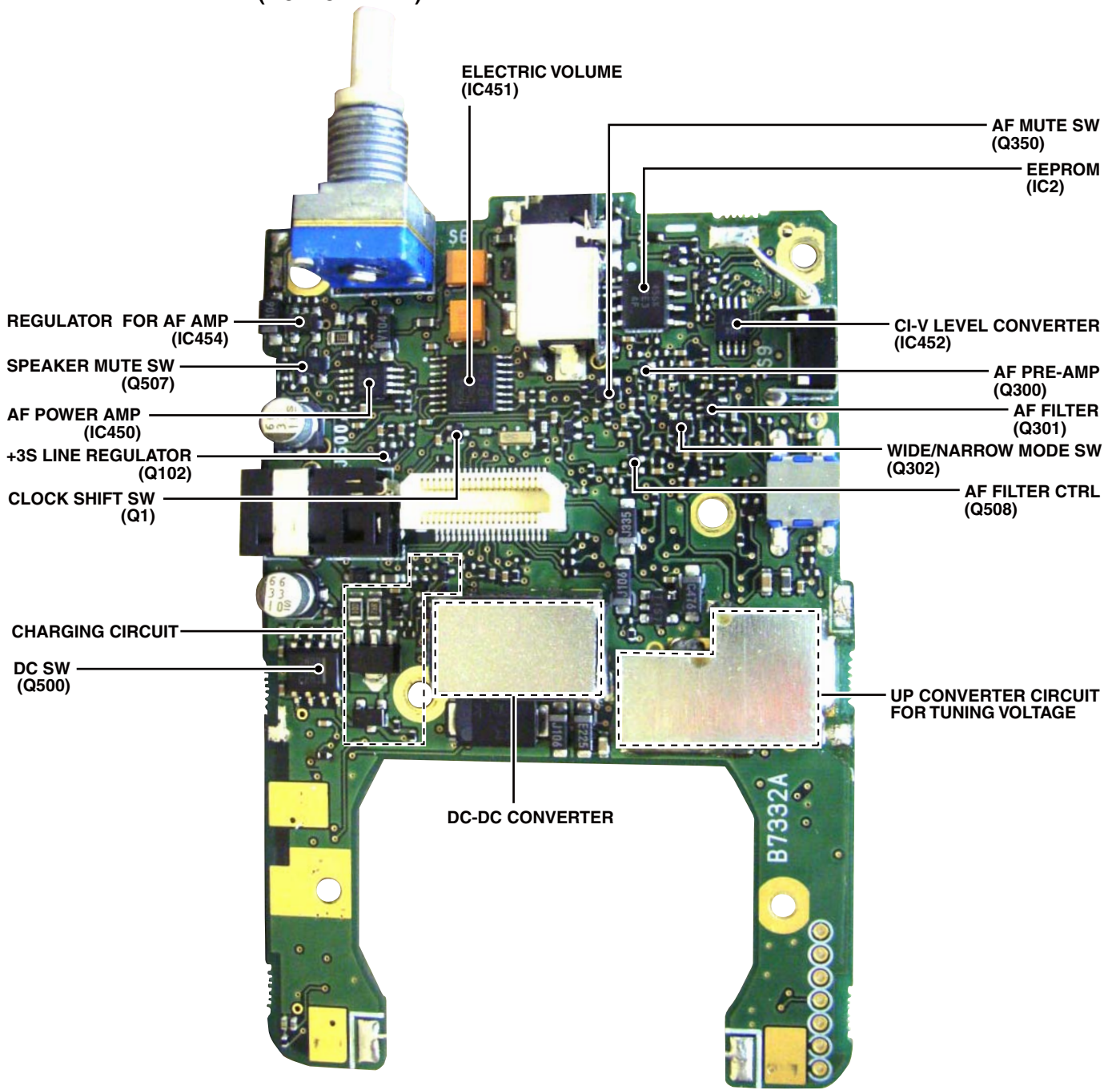
- Receive system : Triple-conversion superheterodyne
- Intermediate frequencies : 1st 266.7 MHz  
2nd 19.65 MHz (FM/AM)  
19.95 MHz (WFM)  
3rd 450 kHz (FM/AM)  
750 kHz (WFM)
- Sensitivity (except spurious points):
  - FM (1 kHz/±3.5 kHz Dev.; 12 dB SINAD)
    - 1.625–4.995 MHz 0.32 μV typical
    - 5.000–29.995 MHz 0.25 μV typical
    - 30.000–469.995 MHz 0.18 μV typical
    - 470.000–832.995 MHz 0.32 μV typical
    - 833.000–1029.995 MHz 0.28 μV typical
    - 1030.000–1309.995 MHz 0.35 μV typical
  - WFM (1 kHz/±52.5 kHz Dev.; 12 dB SINAD)
    - 76.000–108.000 MHz 1.1 μV typical
    - 175.000–221.995 MHz 1.1 μV typical
    - 470.000–770.000 MHz 1.8 μV typical
  - AM (1 kHz/30% MOD.; 10 dB S/N)
    - 0.495–4.995 MHz 1.3 μV typical
    - 5.000–29.995 MHz 0.89 μV typical
    - 118.000–136.000 MHz 0.63 μV typical
    - 222.000–246.995 MHz 0.63 μV typical
    - 247.000–329.995 MHz 0.79 μV typical
- Selectivity :
  - AM/FM : More than 12 kHz/–9 dB  
Less than 30 kHz/–60 dB
  - WFM : More than 150 kHz/–6 dB
- Audio output power : (at 10% distortion/3.0 V DC)
  - Internal speaker : More than 150 mW with a 16 Ω load
  - External speaker : 80 mW typical with an 8 Ω load
- Ext. speaker connector : 3-conductor 3.5 (d) mm (1/8")/8 Ω

**All stated specifications are subject to change without notice or obligation.**

• LOGIC UNIT  
(TOP VIEW)

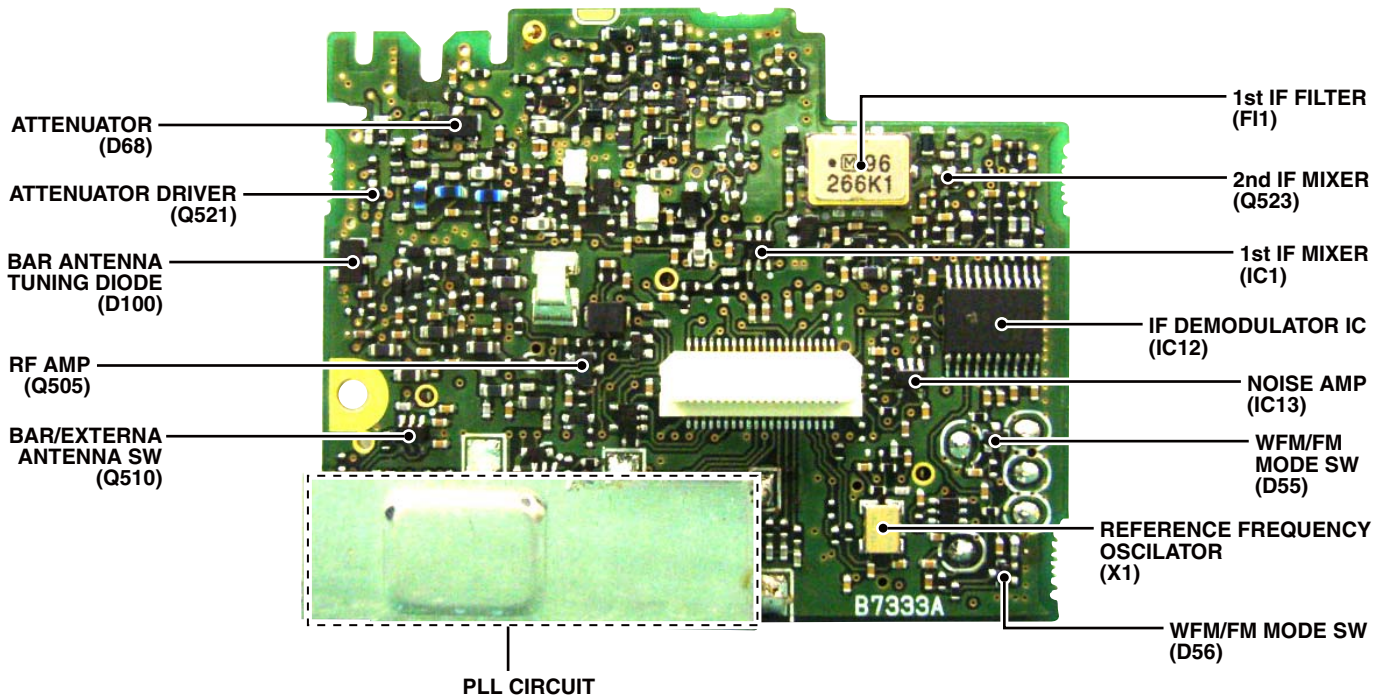


• LOGIC UNIT  
(BOTTOM VIEW)

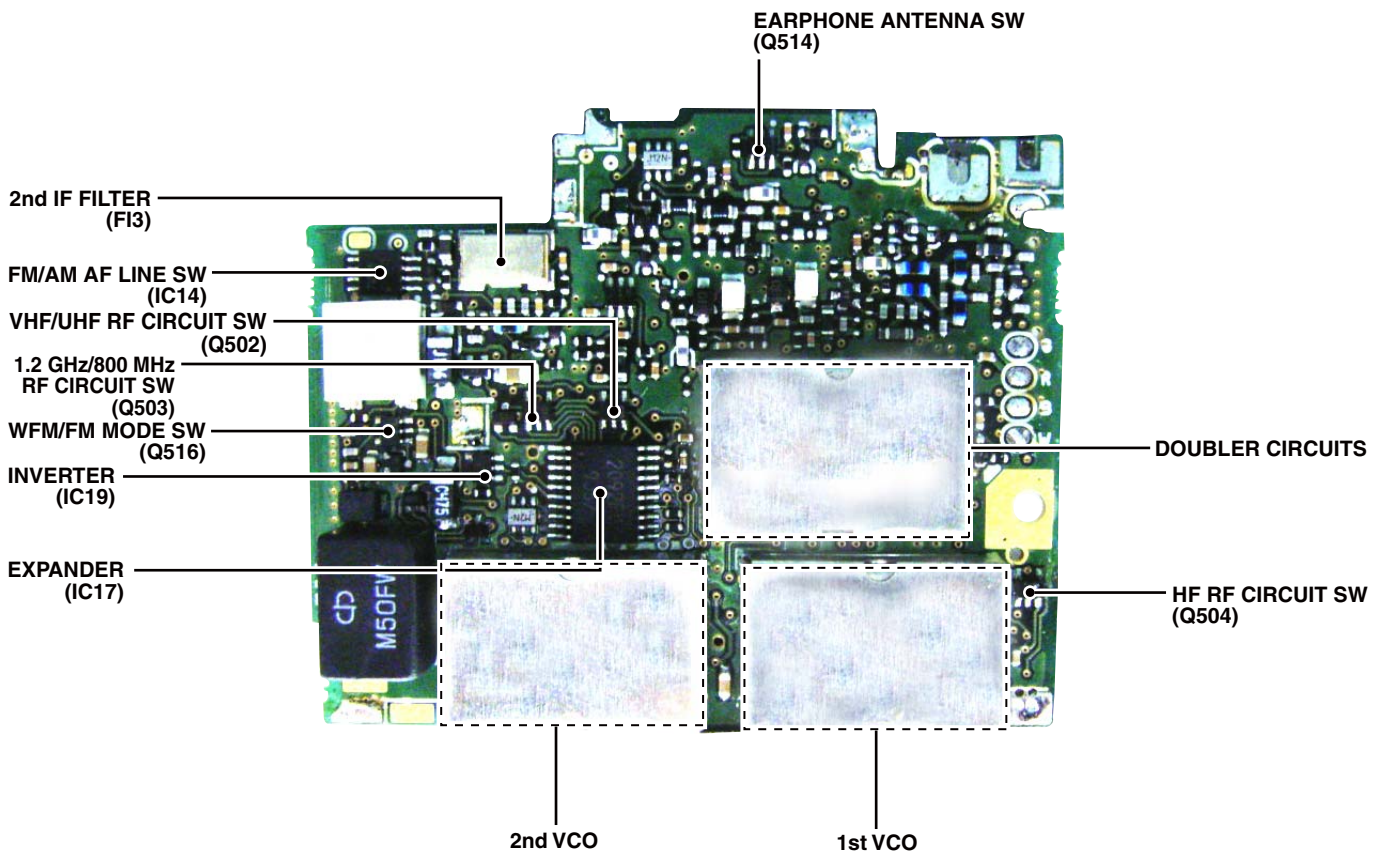




• RF UNIT  
(TOP VIEW)



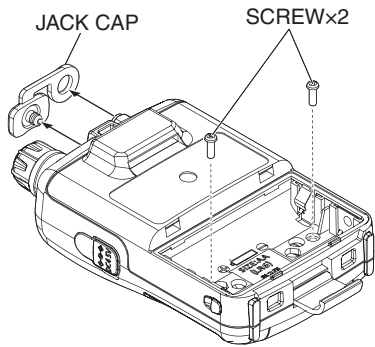
• RF UNIT  
(BOTTOM VIEW)



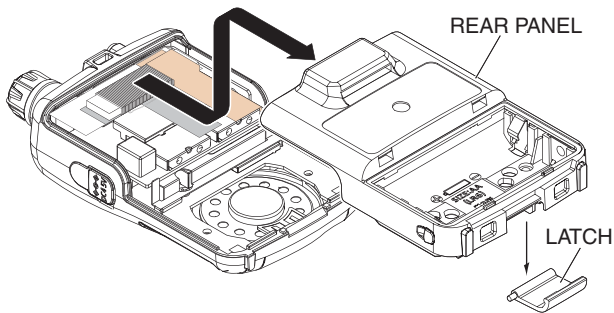
# SECTION 3 DISASSEMBLY INSTRUCTION

## 1. REMOVING THE REAR PANEL

- 1) Remove the battery cover.
- 2) Remove 2 screws and jack cap.

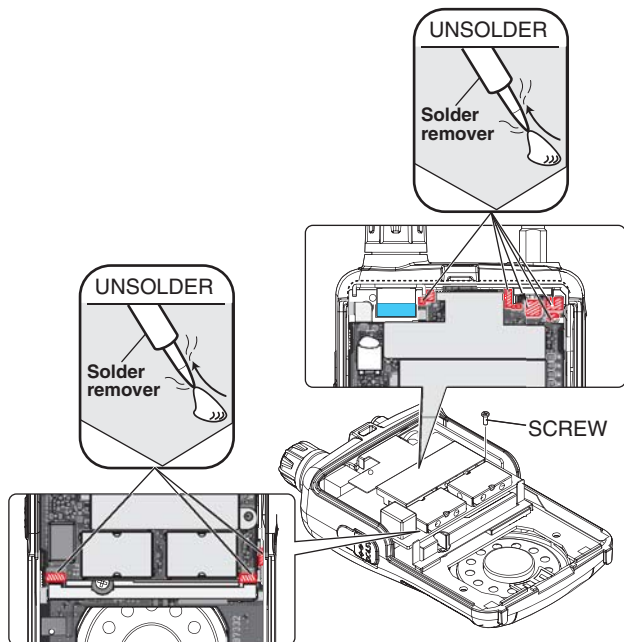


- 3) Remove the rear panel in the direction of the arrow. (**NOTICE:** The latch falls off when removing the rear panel.)

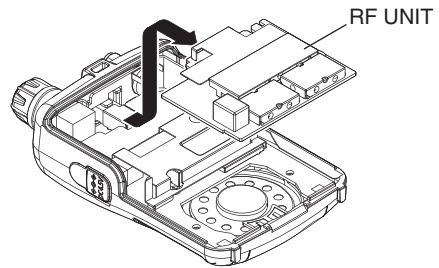


## 2. REMOVING THE RF UNIT

- 1) Remove a screw from the RF UNIT.
- 2) Unsolder the total of 8 points as shown below.

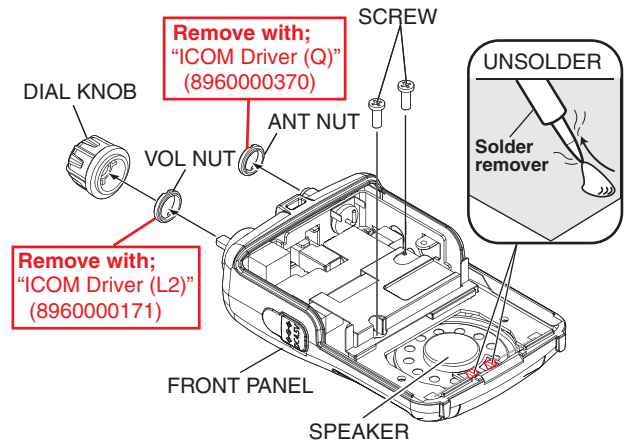


- 3) Remove the RF UNIT in the direction of the arrow.

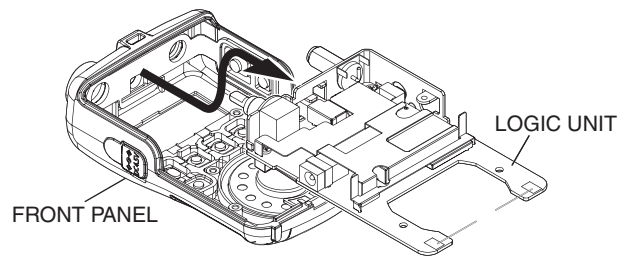


## 3. REMOVING THE LOGIC UNIT

- 1) Remove the dial knob, 2 nuts and 2 screws from the front panel.
- 2) Unsolder the 2 points from the speaker.



- 3) Remove the LOGIC UNIT in the direction of the arrow.



(Continued to the right above)





## 1ST IF CIRCUIT (RF UNIT)

The RX signal from the RF circuit is applied to the 1st IF mixer (IC1) to be mixed with the 1st LO signal from the 1st LO VCO (Q528, Q529, D105 and D106), resulting in the 266.7 MHz 1st IF signal.

The 1st IF signal is filtered by the 1st IF filter (FI1), and then applied to the 2nd IF mixer (Q523).

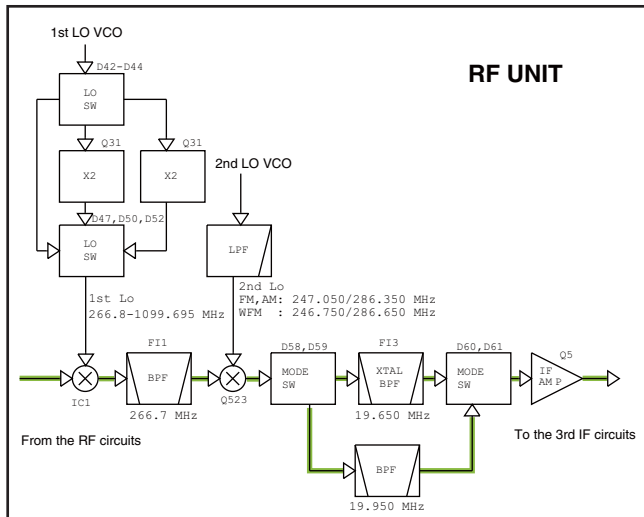
## 2ND IF CIRCUIT (RF UNIT)

The 1st IF signal is applied to the 2nd IF mixer (Q523) to be mixed with the 2nd LO signal from the 2nd LO VCO (Q6 and D17), resulting in a 19.65 MHz (for FM and AM modes) or 19.95 MHz (for WFM mode) 2nd IF signal.

The 2nd IF signal is filtered by the 2nd IF filter (FI3; for FM and AM modes, or C507, C714 and C715; for WFM mode), and then applied to the 2nd IF AMP (Q5).

The amplified 2nd IF signal is applied to the 3rd IF circuits.

### • 1ST IF AND 2ND IF CIRCUITS



## 3RD IF AND DEMODULATOR CIRCUITS (RF UNIT)

The signal from the 2nd IF AMP (Q5) is applied to the IF demodulator IC (IC12) which contains the 3rd IF mixer, 3rd IF AMPs and FM/AM demodulator circuits, etc. in its package.

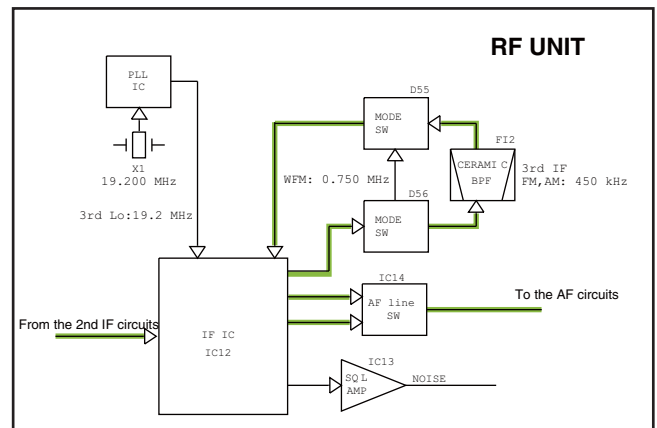
The 2nd IF signal is applied to the 3rd IF mixer and mixed with the 3rd LO signal from the reference frequency oscillator (TCXO; X1), resulting in a 450 kHz (for FM and AM modes) or 750 kHz (for WFM mode) 3rd IF signal.

The converted 3rd IF signal is passed through or bypassed the ceramic BPF (FI2) to eliminate unwanted signal, and amplified by the 3rd IF AMP, then demodulated by the FM/AM detector.

The FM detector employs a ceramic discriminator for the demodulation for FM mode and LC discriminator for the WFM mode as a phase shifter. The AM detector employs a diode detector circuitry.

The demodulated AF signal is applied to the AF circuits on the LOGIC UNIT through the AF line SW (IC14).

### • 3RD IF AND DEMODULATOR CIRCUITS



## 4-2 AF CIRCUITS (LOGIC UNIT)

### FM mode

The demodulated AF signal is passed through the de-emphasis circuit (R323 and C316) and AF filter (Q301), and then applied to the AF AMP (Q300) through the AF line SW (D300).

### Wide FM/AM mode

The demodulated AF signal is passed through the AF filter (R316, R320 and C314) and the AF line SW (Q302), and then applied to the AF AMP (Q300).

The amplified AF signal is passed through the LPF (R350 and C404), whose frequency response is changed by Q508 according to the user setting (The "AF FILTER"). The filtered AF signal is passed through the AF mute SW (Q350), and then adjusted in level by the electric VR (IC451).

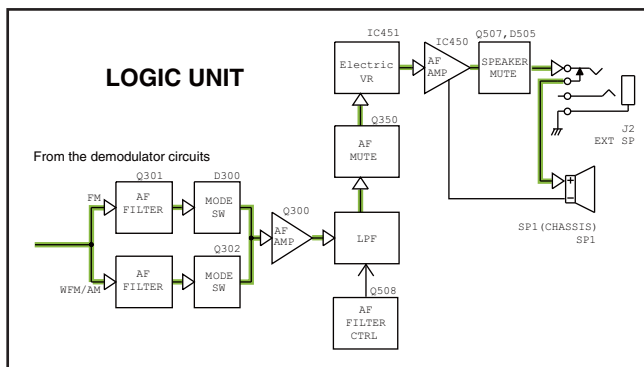
The level-adjusted AF signal is applied to the AF power AMP (IC450).

## AUDIO POWER AMPLIFIER

IC450 is a BTL (Bridge-Tied Load) audio power amplifier which provides high AF output power.

The amplified AF signal is passed through the speaker mute SW (Q507), and then applied to the internal or external speaker.

### • AF CIRCUITS



## 4-3 FREQUENCY SYNTHESIZER CIRCUITS (RF UNIT)

### 1st VCO

The 1st VCO is composed of Q528, Q529 and D105, and generates the 1st LO signal, ranging from 266.8 to 550 MHz. This VCO has a shift switch which changes the oscillating frequency range. The output signal is amplified by Q525, and then applied to both the buffer (Q43) and the doubler circuit.

### DOUBLER CIRCUITS FOR THE 1ST LO SIGNAL

IC-R6 has two doubler circuits, "DBL1" and "DBL2". They double the frequency of the VCO output signal to obtain the 1st LO signal with a wide frequency range.

The "DBL1 (Q31, D43 and D50)" doubles the VCO output signal ranging from 274.85 to 400 MHz, and the "DBL2 (Q31, D44 and D47)" doubles the signal ranging from 380.45 to 549.85 MHz. When the fundamental frequency signal is directly used as the 1st LO signal, the VCO output signal by-passes both doubler circuits through D42 and D52.

### 2nd VCO

The 2nd VCO is composed of Q6, D17, L45, C80, C207 and C208, and generates 247.05/286.35 MHz (for FM and AM modes) and 246.750/286.650 MHz (for WFM mode) 2nd LO signals.

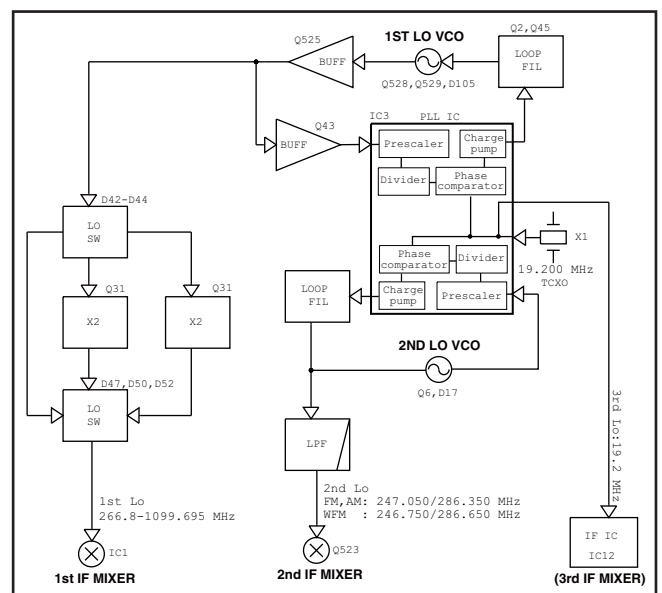
### PLL (Phase Locked Loop) CIRCUIT

A portion of signal from each VCO is fed back to the PLL IC (IC3). The output signal of the 1st VCO is applied to pin 11 of the IC, through the buffer (Q43), and that of the 2nd VCO is applied to pin 19.

The applied VCO output signal is divided and phase-compared with a 19.2 MHz reference frequency signal from the TCXO (X1), which is also divided. The resulting signal of the phase comparison is output from pin 5 (to the 1st VCO) or pin 2 (to the 2nd VCO) through the internal charge pump, and DC-converted by the loop filter, and then applied to the VCO as the lock voltage.

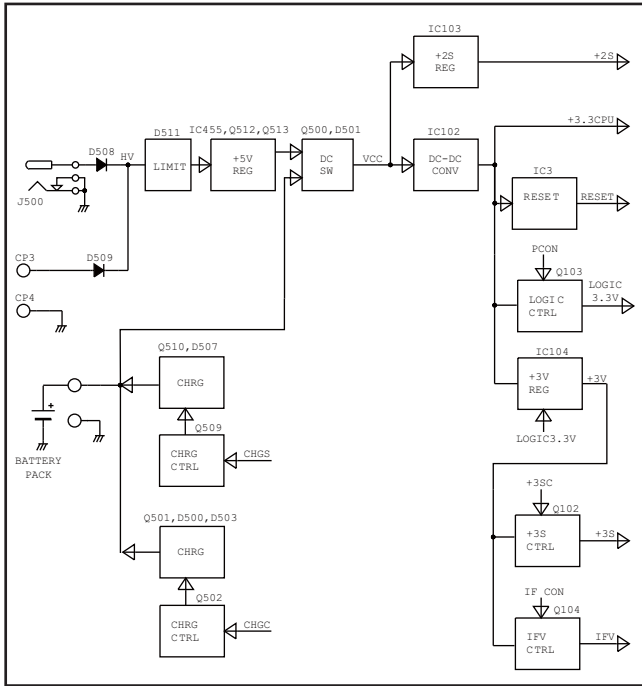
When the oscillation frequency drifts, its phase changes from that of the reference frequency, causing a lock voltage change to compensate for the drift in the VCO oscillating frequency.

### • FREQUENCY SYNTHESIZER CIRCUITS



### 4-4 VOLTAGE BLOCK DIAGRAM

Voltage from the power supply is routed to throughout the transceiver via regulators and switches.



### 4-5 CPU PORT ALLOCATION

Pin No.	Line Name	Description	I/O
1	IOCK	Expand IC serial clock.	O
2	IOSTB	Expand IC strobe.	O
3	IOEN	Expand IC chip enable.	O
4	IODATA	Expand IC serial data.	O
5	ESIO	EEPROM serial data.	I/O
6	ECK	EEPROM serial clock.	O
7	CHGC	Charging circuit control. H=While regular charging. L=While trickle charging.	O
8	TCON	Tone filter control. L=While the tone squelch function is in use.	O
9	AMUTE	AF mute switch control. H=AF mute.	O
15	ATT	Attenuator control. L=The attenuator is ON.	O
16	SHIFT	1st VCO oscillation frequency range shift.	O
17	CLS	CPU clock frequency shift. H=Clock frequency is shifted.	O
18	DBL1	Doubler circuit (DBL1; Q31, D43, D50) control. L=While receiving 283–494.2 MHz and 833–1066.7 MHz.	O
19	AF_FIL	AF filter (LOGIC UNIT: R350 and C404) control. H=The AF filter setting is ON.	O
38	AFSEL	AF filter (LOGIC UNIT: Q301/Q302) select. H=While receiving in the FM mode. The AF filter (Q302) is selected. L=While receiving in the WFM/AM mode. The AF filter (Q301) is selected.	O
41	AFON	AF power AMP control. L=AF power AMP is activated.	O
42	LIGHT	Backlight LED control. H=The backlight (DS2 and DS3) lights.	O
43	VR_CLK	Electric volume IC serial clock.	O
44	VR_DATA	Electric volume IC serial data.	O
45	MODE	[MODE] input. L= Pushed.	I
53	DUD	[DIAL] input. (Data)	I
54	DCK	[DIAL] input. (Clock)	I
98	FSET	Reference frequency adjustment voltage.	O
99	TRAC	Bar antenna tuning voltage.	O
103	VSC	Demodulated AF signal input. (For the VSC function)	I
104	K2	[UP] and [DOWN] inputs.	I
105	K1	[BAND], [V/M] and [MODE] inputs.	I
106	RSSI	RSSI voltage from the IF demodulator IC (RF UNIT: IC12, pin16).	I
107	VIN	Remaining battery voltage.	I
108	CTONE	Tone signals (WX/MSK/TRAIN) decoding input.	I
109	RTONE	Tone signals (CTCSS/DTCS) decoding input.	I
110	TEMP	Temperature sensing voltage.	I
111	SQL	[SQL] input. L= Pushed.	I

#### 4-5 CPU PORT ALLOCATION (continued)

Pin No.	Line Name	Description	I/O
114	FUNC	[FUNC] input. L= Pushed.	I
115	VR_STB	Electric volume IC strobe.	O
116	IFCON	IF demodulator IC chip enable. L=Activated.	O
117	CKOUT	CPU clock output. (For tuning voltage generation)	O
118	BEEP	Beep sounds. (Square waves)	O
119	NOISE	Noise level detection. L=Squelch close.	I
120	HVDET	The voltage from the external power supply or attached battery pack. L=Power source detection.	I
121	PDAUL	PLL IC serial data.	O
122	PSTB	PLL IC strobe.	O
123	PCK	PLL IC serial clock.	O
124	POWER	[⏻] input. L=Pushed.	I
125	PPS	PLL IC power save mode control. L=While in the power save mode.	O
126	DBL2	Doubler circuit (DBL1; Q31, D44, D47) control. L=While receiving 494.2–833 MHz and 1066.7–1309.995 MHz.	O
127	PCON	Main power switch (LOGIC UNIT: Q103) control. L=IC-R6 is power ON.	O
128	+3SC	+3S line control. L=Receiving.	O



# SECTION 5 ADJUSTMENT PROCEDURE

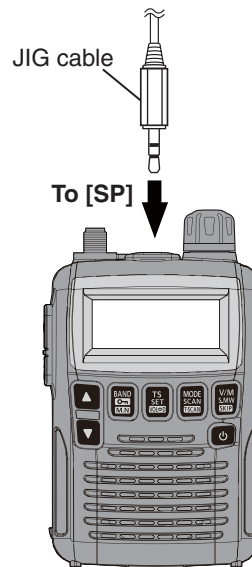
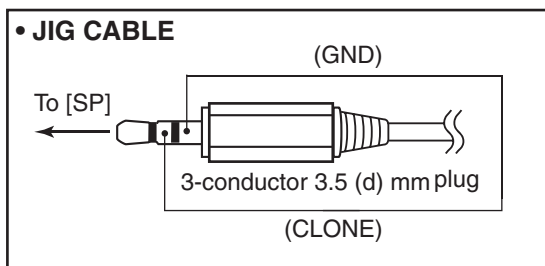
## 5-1 PREPARATION

### ■ REQUIRED EQUIPMENTS

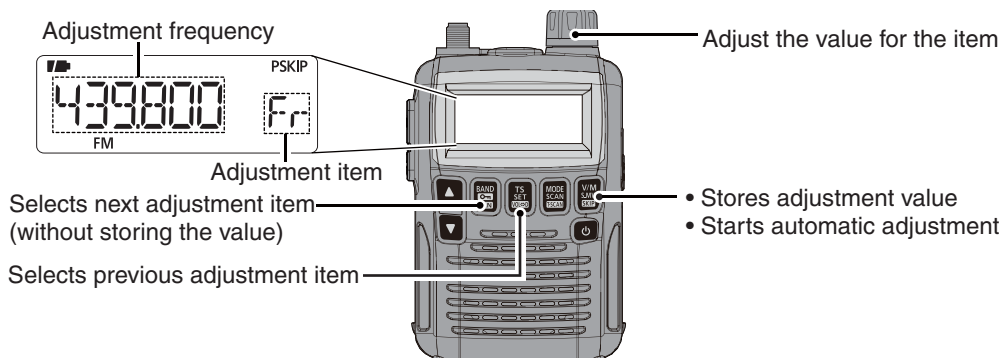
EQUIPMENT	GRADE AND RANGE	EQUIPMENT	GRADE AND RANGE
JIG cable	Modified 3-conductor 3.5 (d) mm plug (See the illust below)	Standard signal generator (SSG)	Frequency range : 100 kHz to 1.2 GHz Output level : -20 to +107 dBμ (-127 to 0 dBm)
Frequency counter	Frequency range : 0.1-300 MHz Frequency accuracy : ±0.1 ppm or better Input level : Less than 1 mW		

### ■ ENTERING ADJUSTMENT MODE

- 1) Connect the JIG cable (see the illust below) to the [SP] jack.
- 2) Push and hold [FUNC], [BAND], and [▲], turn the receiver's power ON.



### ■ KEY ASSIGNMENTS FOR THE ADJUSTMENT MODE



### ■ QUITTING ADJUSTMENT MODE

Turn the receiver's power OFF.

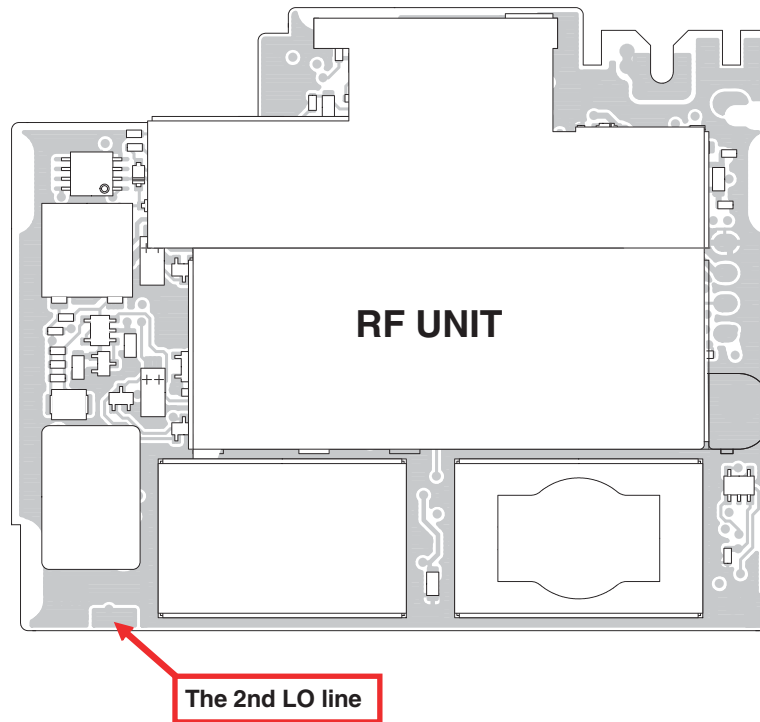
## 5-2 FREQUENCY ADJUSTMENT

1) Select an adjustment item using [BAND]/[TS].

2) Set or modify the adjustment value as specified using [DIAL], then push [V/M] to store the adjustment value..

ADJUSTMENT	RECEIVER'S CONDITION	OPERATION	ADJUSTMENT ITEM	VALUE
REFERENCE FREQUENCY	1 • Frequency: 439.800 MHz	• Connect a frequency counter to "2nd LO" line on the RF UNIT as illustrated below.	$F_r$	247.050 MHz (±120 Hz)

### ■ LOCATION



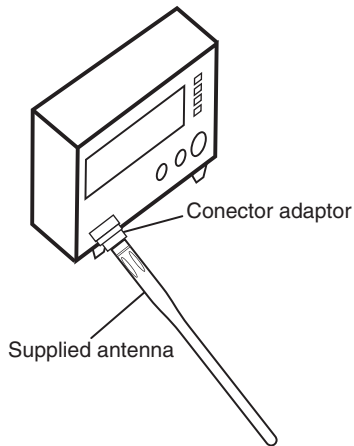
### 5-3 RECEIVE ADJUSTMENTS

- 1) Select an adjustment item using [BAND]/[TS].
- 2) Set the SSG as specified, then push [V/M] when the 11th scale is just disappeared, to store the adjustment value.

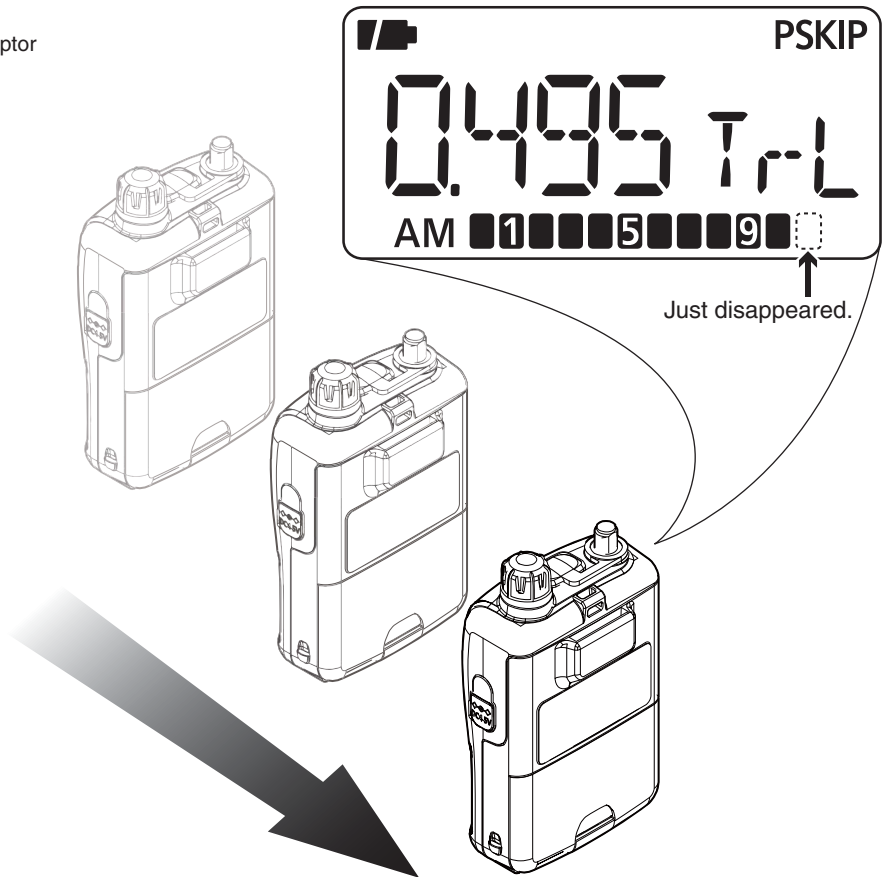
ADJUSTMENT	RECEIVER'S CONDITION	OPERATION	ADJUSTMENT ITEM	VALUE
BAR ANTENNA (0.495 MHz)	1	<b>NOTE:</b> This procedure (the step "1" and "2") must be done <b>twice</b> .		
		<ul style="list-style-type: none"> <li>• Frequency: 0.495 MHz</li> <li>• Receiving</li> </ul> <ol style="list-style-type: none"> <li>1) Connect the supplied antenna to a signal generator through an appropriate connector adaptor, and set it as follows;                             <ul style="list-style-type: none"> <li>Frequency : 0.495 MHz</li> <li>Level : 107 dBμ (0 dBm)</li> <li>Modulation : None</li> </ul> </li> <li>2) Gradually move the IC-R6 away from the SG until the 11th scale of the signal strength indicator on the IC-R6 LCD disappears.</li> <li>3) Push [V/M] when the 11th scale just disappears.</li> </ol>	Tr-L	Push [V/M] (the 11th scale is just disappeared)
(1.620 MHz)	2	<ul style="list-style-type: none"> <li>• Frequency: 1.620 MHz</li> <li>• Receiving</li> </ul> <ol style="list-style-type: none"> <li>1) Set the SSG as;                             <ul style="list-style-type: none"> <li>Frequency : 1.620 MHz</li> </ul> </li> <li>2) Follow the same procedure as the step "1."</li> </ol>	Tr-H	

#### ■ ADJUSTING BAR ANTENNA

##### STANDARD SIGNAL GENERATOR



Push [V/M] when the 11th scale just disappears.



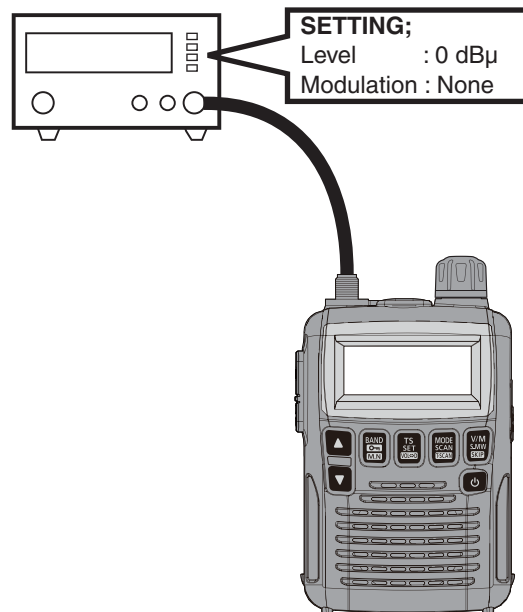
### 5-3 RECEIVE ADJUSTMENTS (Continued)

- 1) Select an adjustment item using [BAND]/[TS].
- 2) Set the SSG as specified, then push [V/M] to store the adjustment value.

ADJUSTMENT	RECEIVER'S CONDITION	OPERATION	ADJUSTMENT ITEM	VALUE
VHF SENSITIVITY	1 <ul style="list-style-type: none"> <li>• Frequency: 118.100 MHz</li> <li>• Receiving</li> </ul>	<ul style="list-style-type: none"> <li>• Connect an SSG to the antenna connector and set it as;               <ul style="list-style-type: none"> <li>Frequency : 118.100 MHz</li> <li>Level : 0 dB<math>\mu</math> (-107 dBm)</li> <li>Modulation : None</li> </ul> </li> </ul>	Tr-L	Push [V/M]
	2 <ul style="list-style-type: none"> <li>• Frequency: 174.900 MHz</li> <li>• Receiving</li> </ul>	<ul style="list-style-type: none"> <li>• Set the SSG as;               <ul style="list-style-type: none"> <li>Frequency : 174.900 MHz</li> <li>Level : 0 dB<math>\mu</math> (-107 dBm)</li> <li>Modulation : None</li> </ul> </li> </ul>	Tr-H	
UHF SENSITIVITY	1 <ul style="list-style-type: none"> <li>• Frequency: 330.100 MHz</li> <li>• Receiving</li> </ul>	<ul style="list-style-type: none"> <li>• Connect an SSG to the antenna connector and set it as;               <ul style="list-style-type: none"> <li>Frequency : 330.100 MHz</li> <li>Level : 0 dB<math>\mu</math> (-107 dBm)</li> <li>Modulation : None</li> </ul> </li> </ul>	Tr-L	Push [V/M]
	2 <ul style="list-style-type: none"> <li>• Frequency: 469.900 MHz</li> <li>• Receiving</li> </ul>	<ul style="list-style-type: none"> <li>• Set the SSG as;               <ul style="list-style-type: none"> <li>Frequency : 469.900 MHz</li> <li>Level : 0 dB<math>\mu</math> (-107 dBm)</li> <li>Modulation : None</li> </ul> </li> </ul>	Tr-H	

### CONNECTION

STANDARD SIGNAL GENERATOR  
(100 kHz to 1.2 GHz)



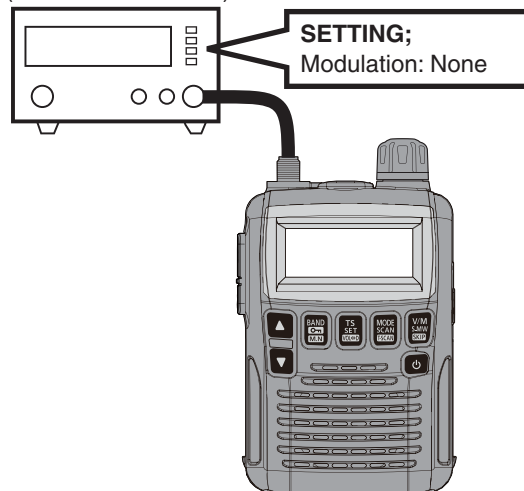
### 5-3 RECEIVE ADJUSTMENTS (Continued)

- 1) Select an adjustment item using [BAND]/[TS].
- 2) Set the SSG as specified, then push [V/M] to store the adjustment value.

ADJUSTMENT	RECEIVER'S CONDITION	OPERATION	ADJUSTMENT ITEM	VALUE
<b>S-METER</b>	1	<b>NOTE:</b> "SENSITIVITY" must be adjusted before "S-METER." And when "SENSITIVITY" is re-adjusted, "S-METER" must be re-adjusted too.		
<b>14 MHz band (WFM Mode)</b>	<ul style="list-style-type: none"> <li>• Frequency: 14.1 MHz</li> <li>• Receiving</li> </ul>	<ul style="list-style-type: none"> <li>• Connect an SSG to the antenna connector, and set it as;                Frequency : 14.1 MHz                Level : 1 dB<math>\mu</math> (-106 dBm)                Deviation : None</li> </ul>	<b>SM</b>	Push [V/M]
<b>(FM Mode)</b>		<ul style="list-style-type: none"> <li>• Set the SSG as;                Level : -6 dB<math>\mu</math> (-113 dBm)</li> </ul>		
<b>145 MHz band (WFM Mode)</b>	<ul style="list-style-type: none"> <li>• Frequency: 145.1 MHz</li> <li>• Receiving</li> </ul>	<ul style="list-style-type: none"> <li>• Set the SSG as;                Frequency : 145.1 MHz                Level : 5 dB<math>\mu</math> (-102 dBm)</li> </ul>		
<b>(FM Mode)</b>		<ul style="list-style-type: none"> <li>• Set the SSG as;                Level : -6 dB<math>\mu</math> (-113 dBm)</li> </ul>		
<b>200 MHz band (WFM Mode)</b>	<ul style="list-style-type: none"> <li>• Frequency: 200.1 MHz</li> <li>• Receiving</li> </ul>	<ul style="list-style-type: none"> <li>• Set the SSG as;                Frequency : 200.1 MHz                Level : 5 dB<math>\mu</math> (-102 dBm)</li> </ul>		
<b>(FM Mode)</b>		<ul style="list-style-type: none"> <li>• Set the SSG as;                Level : -6 dB<math>\mu</math> (-113 dBm)</li> </ul>		
<b>435 MHz band (WFM Mode)</b>	<ul style="list-style-type: none"> <li>• Frequency: 435.1 MHz</li> <li>• Receiving</li> </ul>	<ul style="list-style-type: none"> <li>• Set the SSG as;                Frequency : 435.1 MHz                Level : 5 dB<math>\mu</math> (-102 dBm)</li> </ul>		
<b>(FM Mode)</b>		<ul style="list-style-type: none"> <li>• Set the SSG as;                Level : -6 dB<math>\mu</math> (-113 dBm)</li> </ul>		
<b>650 MHz band (WFM Mode)</b>	<ul style="list-style-type: none"> <li>• Frequency: 650.1 MHz</li> <li>• Receiving</li> </ul>	<ul style="list-style-type: none"> <li>• Set the SSG as;                Frequency : 650.1 MHz                Level : 5 dB<math>\mu</math> (-102 dBm)</li> </ul>		
<b>(FM Mode)</b>		<ul style="list-style-type: none"> <li>• Set the SSG as;                Level : -6 dB<math>\mu</math> (-113 dBm)</li> </ul>		
<b>1100 MHz band (WFM Mode)</b>	<ul style="list-style-type: none"> <li>• Frequency: 1100.1 MHz</li> <li>• Receiving</li> </ul>	<ul style="list-style-type: none"> <li>• Set the SSG as;                Frequency : 1100.1 MHz                Level : 10 dB<math>\mu</math> (-97 dBm)</li> </ul>		
<b>(FM Mode)</b>		<ul style="list-style-type: none"> <li>• Set the SSG as;                Level : 0 dB<math>\mu</math> (-107 dBm)</li> </ul>		

### CONNECTION

STANDARD SIGNAL GENERATOR  
(100 kHz to 1.2 GHz)





## SECTION 6

## PARTS LIST

[RF UNIT]

REF NO.	PARTS NO.	DESCRIPTION	M.	H/V LOCATION
IC1	1110005230	S.IC UPC2757TB-E3	T	29.3/24.8
IC3	1130012930	S.IC MB15F63ULPVA1-G	T	25.6/6
IC12	1110007300	S.IC NJM2552V-TE1-#ZZZB	T	44.8/20.2
IC13	1110006490	S.IC LMV321IDCKR	T	39.4/16.4
IC14	1130008511	S.IC TC7W53FU<TE12L,F>	B	44.9/30.2
IC17	1130009670	S.IC BU2092FV-E2	B	30.4/15.8
IC18	1110005180	S.IC UPC2746TB-E3	B	29.3/28.6
IC19	1130006891	S.IC TC7S04FU<TE85R,F>	B	38.3/17.4
Q2	1560000541	S.FET 2SK880-Y<5TRICOM,F>	T	15.4/3
Q5	1530003260	S.TRA 2SC5006-T1	T	36/25
Q6	1530003612	S.TRA FH102A-TR-E	B	32.5/6.2
Q14	1530003810	S.TRA 2SC5008-T1	B	14.6/28.8
Q24	1530003592	S.TRA 2SC5277A-2-TL-E	B	27.6/33.6
Q26	1530003592	S.TRA 2SC5277A-2-TL-E	T	27.9/36.4
Q31	1530003612	S.TRA FH102A-TR-E	B	12.7/19.7
Q33	1590002010	S.TRA XP1114<TX>	T	20.7/13.7
Q35	1530003810	S.TRA 2SC5008-T1	T	13.9/28.1
Q36	1530003582	S.TRA 2SC5231A-8-TL-E	T	24.1/34.7
Q37	1530003990	S.TRA 2SC4738-BL<TE85L,F>	B	36.7/3.7
Q41	1590004070	S.TRA LDT144EET1G<SLVJ>	B	44.1/17.6
Q43	1530003260	S.TRA 2SC5006-T1	T	4.2/8.9
Q45	1530003011	S.TRA 2SC4117-GR<TE85R,F>	T	10.3/4.9
Q46	1590001660	S.TRA XP4312<TX>	T	42/7.5
Q501	1590003241	S.TRA UNR9114G0L	B	36.9/20.7
Q502	1590002010	S.TRA XP1114<TX>	B	29.7/21.2
Q503	1590002010	S.TRA XP1114<TX>	B	34.7/21.2
Q504	1590001810	S.TRA XP1113<TX>	B	2.1/9.6
Q505	1530002601	S.TRA 2SC4215-O<TE85R,F>	T	17.8/16.9
Q506	1590004050	S.TRA LDTA144EET1G<SLVJ>	T	2.1/8.6
Q510	1590001540	S.TRA UMD6N TR	T	6.2/12.4
Q513	1590001650	S.TRA XP4601<TX>	T	15.1/9.3
Q514	1590001540	S.TRA UMD6N TR	B	20.1/38.4
Q516	1590001810	S.TRA XP1113<TX>	B	44.3/19.8
Q518	1530003990	S.TRA 2SC4738-BL<TE85L,F>	B	38.8/13.3
Q519	1590004070	S.TRA LDT144EET1G<SLVJ>	B	42.9/15.3
Q520	1590003241	S.TRA UNR9114G0L	B	38.8/23.8
Q521	1590004050	S.TRA LDTA144EET1G<SLVJ>	T	3.4/28.5
Q523	1530003260	S.TRA 2SC5006-T1	T	41.7/29.5
Q525	1530003260	S.TRA 2SC5006-T1	B	10.3/8.4
Q526	1590004070	S.TRA LDT144EET1G<SLVJ>	B	18.8/8.1
Q527	1510001100	S.TRA 2SA1832-GR<TE85R,F>	T	21.3/18.4
Q528	1530003321	S.TRA 2SC5108-Y<TE85R,F>	B	11.7/4.4
Q529	1530003260	S.TRA 2SC5006-T1	B	16.1/3.6
D1	1720000781	S.VAR HVU350BTRF-E	B	19.1/29.2
D2	1720000781	S.VAR HVU350BTRF-E	B	23.9/28.4
D3	1750001910	S.DIO HVD144AKRF-E	T	12/31.1
D4	1720000781	S.VAR HVU350BTRF-E	T	19/28.7
D5	1720000781	S.VAR HVU350BTRF-E	T	24.8/27.8
D11	1750001910	S.DIO HVD144AKRF-E	B	16.4/34
D13	1750001910	S.DIO HVD144AKRF-E	T	16.3/36.6
D17	1720000701	S.DIO 1SV305<TPL3,F>	B	30.7/8.9
D20	1790001590	S.DIO MA6S718<TX>	B	35.7/14.2
D21	1790001590	S.DIO MA6S718<TX>	B	26.9/37.5
D25	1750001910	S.DIO HVD144AKRF-E	B	26.3/28.9
D29	1750001910	S.DIO HVD144AKRF-E	T	26.4/28.5
D31	1790000851	S.DIO MA3S132EGL	T	15.6/34.8
D32	1750001910	S.DIO HVD144AKRF-E	B	27.6/31.1
D34	1750001910	S.DIO HVD144AKRF-E	T	26.2/31.1
D36	1750001910	S.DIO HVD144AKRF-E	T	27.8/32.8
D42	1790001261	S.DIO MA2S077G0L	B	12.4/15.4
D43	1790001261	S.DIO MA2S077G0L	B	10.2/16.3
D44	1790001261	S.DIO MA2S077G0L	B	8.7/16.9
D47	1750001910	S.DIO HVD144AKRF-E	B	20.4/22.5
D50	1750001910	S.DIO HVD144AKRF-E	B	21/19.3
D52	1750001910	S.DIO HVD144AKRF-E	B	21.7/17.7
D53	1790001251	S.DIO MA2S1110GL	B	35.1/3.6
D54	1790001251	S.DIO MA2S1110GL	T	14.6/11.3
D55	1790000851	S.DIO MA3S132EGL	T	45.1/12.4
D56	1790000851	S.DIO MA3S132EGL	T	45.7/3.3
D58	1790001261	S.DIO MA2S077G0L	B	41.8/30.1
D59	1790001261	S.DIO MA2S077G0L	B	40.8/28.1
D60	1790001261	S.DIO MA2S077G0L	B	33.6/26.6
D61	1790001261	S.DIO MA2S077G0L	B	35.3/25.5
D62	1790001241	S.DIO MA2S7280GL	T	17.4/13.6
D63	1790001261	S.DIO MA2S077G0L	T	6.3/24.6
D64	1790001261	S.DIO MA2S077G0L	T	12.5/21
D65	1790001261	S.DIO MA2S077G0L	T	5.2/22.3
D66	1790001261	S.DIO MA2S077G0L	T	6.5/22.6
D67	1790001261	S.DIO MA2S077G0L	T	13.5/17.2
D68	1720000241	S.DIO 1SV172<TE85R,F>	T	9.3/33
D70	1790001261	S.DIO MA2S077G0L	T	15.5/16.4
D71	1750001910	S.DIO HVD144AKRF-E	T	28/30.3
D72	1750001910	S.DIO HVD144AKRF-E	T	27.8/27.8
D73	1750001910	S.DIO HVD144AKRF-E	B	8.3/32.7
D74	1750001910	S.DIO HVD144AKRF-E	B	10.8/31.9
D75	1750001910	S.DIO HVD144AKRF-E	B	10.8/33.2
D76	1790001261	S.DIO MA2S077G0L	B	5.6/18.7
D100	1750001830	S.VAR SVC389-TL-E	T	2.1/24
D101	1750001910	S.DIO HVD144AKRF-E	B	17.3/37.8
D103	1750000370	S.DIO DA221 TL	T	39.2/22.7
D104	1790000981	S.DIO MA3J7420GL	T	32.6/26.1
D105	1720000651	S.VAR 1SV286<TPH3,F>	B	15/6.4
D106	1790001261	S.DIO MA2S077G0L	B	14.8/8.8
D109	1750001910	S.DIO HVD144AKRF-E	B	16.8/39.5

[RF UNIT]

REF NO.	PARTS NO.	DESCRIPTION	M.	H/V LOCATION
F11	2040001200	S.SAW EFC266MKQP1	T	35.9/30.1
F12	2020002410	CER LTM450FW<LJE>	T	
F13	2010002280	S.MON 19S15A 19.650 MHz<FL-293>	B	36.8/31.1
X1	6050013070	S.XTA CR-900 TTS18VSE-A11 19.2 MHz	T	37.6/6.5
X2	6070000300	S.DIS JTBM450CX24<LJE>	B	45.2/24.9
L1	6200007750	S.COI LQW2BHN56NJ03L	B	22/28.7
L2	6200005721	S.COI ELJRE 33NGFA	T	5.1/31.2
L3	6200010850	S.COI LQW18AN22NG00D (LQW1608A22NG00)	T	6.7/28.3
L4	6200010850	S.COI LQW18AN22NG00D (LQW1608A22NG00)	T	8.7/28.6
L7	6200005711	S.COI ELJRE 27NGFA	B	20.7/31.7
L8	6200005631	S.COI ELJRE 5N6ZFA	B	22.8/34.2
L9	6200005721	S.COI ELJRE 33NGFA	T	18.1/35.9
L10	6200005701	S.COI ELJRE 22NGFA	T	18.4/33.8
L11	6200005681	S.COI ELJRE 15NGFA	T	19.9/39.2
L12	6200005661	S.COI ELJRE 10NGFA	T	21.8/39.2
L13	6200005631	S.COI ELJRE 5N6ZFA	T	23.7/37.3
L14	6200009220	S.COI LQW18AN15NG00D (LQW1608A15NG00)	B	10.1/29.2
L15	6200005741	S.COI ELJRE 47NGFA	T	31.5/31.9
L17	6200007170	S.COI MLF1608A 3R3K-T	T	36.7/23.3
L20	6200005741	S.COI ELJRE 47NGFA	B	35/5.6
L21	6200002041	S.COI NLV25T-101J	B	46.4/14.9
L28	6200007750	S.COI LQW2BHN56NJ03L	B	17.2/29.5
L39	6200011590	S.COI LQW18AN39NG00D	T	11.4/28.4
L40	6200005651	S.COI ELJRE 8N2ZFA	B	29.2/34.6
L41	6200006981	S.COI ELJRE R10GFA	T	22.8/31.9
L42	6200005631	S.COI ELJRE 5N6ZFA	B	25.5/34.6
	6200005631	S.COI ELJRE 5N6ZFA	[UK]	
	6200005631	S.COI ELJRE 5N6ZFA	[CHN]	
	6200005631	S.COI ELJRE 5N6ZFA	[ITA]	
	6200005701	S.COI ELJRE 22NGFA	[USA]	
	6200005631	S.COI ELJRE 5N6ZFA	[FRA]	
	6200005631	S.COI ELJRE 5N6ZFA	[ESP]	
	6200005631	S.COI ELJRE 5N6ZFA	[EXP]	
	6200005631	S.COI ELJRE 5N6ZFA	[CAN]	
	6200005631	S.COI ELJRE 5N6ZFA	[EUR-01]	
	6200005631	S.COI ELJRE 5N6ZFA	[CHN-01]	
	6200005631	S.COI ELJRE 5N6ZFA	[ITA-01]	
	6200005701	S.COI ELJRE 22NGFA	[USA-01]	
	6200005631	S.COI ELJRE 5N6ZFA	[FRA-01]	
	6200005631	S.COI ELJRE 5N6ZFA	[ESP-01]	
	6200005631	S.COI ELJRE 5N6ZFA	[CAN-01]	
L43	6200005621	S.COI ELJRE 4N7ZFA	T	26.3/36.6
L44	6200005621	S.COI ELJRE 4N7ZFA	T	30.5/35.8
L45	6200007670	S.COI LQW2BHN10NJ03L	B	29.3/5.4
L50	6200005661	S.COI ELJRE 10NGFA	B	15.8/15.8
L51	6200007961	S.COI ELJRF 6N8JFB (6.8)	B	12.5/22.6
L52	6200005691	S.COI ELJRE 18NGFA	B	16.3/17.2
L53	6200005671	S.COI ELJRE 12NGFA	B	17.3/18.5
L54	6200005671	S.COI ELJRE 12NGFA	B	14.8/20.1
L55	6200005661	S.COI ELJRE 10NGFA	B	16.6/20.9
L56	6200005641	S.COI ELJRE 6N8ZFA	B	29.3/24.2
L57	6200009290	S.COI LQW18AN47NG00D (LQW1608A47NG00)	B	10.2/30.6
L58	6200010910	S.COI LQW18AN56NG00D	B	7.1/30.8
L59	6200010910	S.COI LQW18AN56NG00D	B	7.1/28.1
L60	6200008570	S.COI LQW2BHN6N8D03L	T	21.9/27.6
L61	6200008570	S.COI LQW2BHN6N8D03L	T	17.1/30
L69	6200005701	S.COI ELJRE 22NGFA	B	38.5/5.8
L70	6200004720	S.COI MLF1608D R10K-T	B	11.2/26.3
L73	6200006960	S.COI MLF1608A 2R7K-T	B	40.7/31.9
L74	6200005741	S.COI ELJRE 47NGFA	T	40.5/31.9
L76	6200005641	S.COI ELJRE 6N8ZFA	B	18.2/19.7
L77	6200011860	S.COI LQW18ANR47G00D	B	36.5/26.7
L80	6200005631	S.COI ELJRE 5N6ZFA	B	7.2/7.2
L81	6200004940	S.COI MLF1608D R27K-T	B	4.8/31.9
L82	6200005140	S.COI MLF1608D R33K-T	B	3.4/29.8
L83	6200004790	S.COI MLF1608D R47K-T	T	12.1/23.8
L84	6200004790	S.COI MLF1608D R47K-T	T	12.7/22.6
L85	6200006970	S.COI MLF1608A 3R9K-T	T	6/16.4
L86	6200004790	S.COI MLF1608D R47K-T	T	11.9/15.4
L87	6200003630	S.COI MLF1608D R68K-T	T	14.5/14.6
L88	6200007170	S.COI MLF1608A 3R3K-T	T	7.8/19.3
L89	6200007170	S.COI MLF1608A 3R3K-T	T	11/18.3
L90	6200002041	S.COI NLV25T-101J	T	19.3/20.4
L91	6200006970	S.COI MLF1608A 3R9K-T	T	4.3/18
L92	6200005180	S.COI MLF1608D R39K-T	T	20.4/32.2
L93	6200004920	S.COI MLF1608A 2R2K-T	T	43.1/26.3
L94	6200010120	S.COI LQW18AN5N6C00D	B	13.1/7.3
L95	6200010630	S.COI LQW18AN8N2D00D	B	14.9/7.6
L98	6200011860	S.COI LQW18ANR47G00D	B	18.4/3.5
L99	6200013740	S.COI MLG1608S R47J-T	T	14.7/26.5
L100	6200009351	S.COI ELJRE R22GFA	B	15.8/27
L101	6200013740	S.COI MLG1608S R47J-T	T	11/29.9
L102	6200013740	S.COI MLG1608S R47J-T	B	12.8/30.9
L103	6200013740	S.COI MLG1608S R47J-T	T	15.2/33
L104	6200013740	S.COI MLG1608S R47J-T	B	19.9/35.4
L105	6200013740	S.COI MLG1608S R47J-T	B	30.7/32.6
L106	6200013740	S.COI MLG1608S R47J-T	T	22.9/29.8
L107	6200013740	S.COI MLG1608S R47J-T	T	27.7/34.6
L108	6200013740	S.COI MLG1608S R47J-T	T	25.4/24.9
L109	6200013740	S.COI MLG1608S R47J-T	B	25.2/25.3

M.=Mounted side (T: Mounted on the Top side, B: Mounted on the Bottom side)  
S.=Surface mount

[RF UNIT]

REF NO.	PARTS NO.	DESCRIPTION	M.	H/V LOCATION
L110	6200011031	S.COI ELJRF R10JFB	B	8.5/8.9
L111	6200007881	S.COI ELJRF 33NJFB	T	3.4/4.3
R1	7030007280	S.RES ERJ2GEJ 331 X (330)	B	31.8/9.4
R4	7030007280	S.RES ERJ2GEJ 331 X (330)	T	26/22
R5	7030009270	S.RES ERJ2GEJ 821 X (820)	T	20.9/7.4
R6	7030005710	S.RES ERJ2GEJ 121 X (120)	T	22.2/33.2
R8	7030007340	S.RES ERJ2GEJ 153 X (15K)	B	11.9/29.6
R9	7030005290	S.RES ERJ2GEJ 682 X (6.8K)	B	13/28.1
R10	7030005240	S.RES ERJ2GEJ 473 X (47K)	B	20.3/25.5
R11	7030005240	S.RES ERJ2GEJ 473 X (47K)	B	23.9/25.9
R13	7030007340	S.RES ERJ2GEJ 153 X (15K)	T	12.8/20.7
R14	7030005290	S.RES ERJ2GEJ 682 X (6.8K)	T	11.9/27
R15	7030005240	S.RES ERJ2GEJ 473 X (47K)	T	19.5/26.2
R16	7030005240	S.RES ERJ2GEJ 473 X (47K)	T	22.4/25.5
R18	7030007340	S.RES ERJ2GEJ 153 X (15K)	T	23.8/36.1
R19	7030007340	S.RES ERJ2GEJ 153 X (15K)	T	31.8/35.8
R20	7030005710	S.RES ERJ2GEJ 121 X (120)	T	28.2/38.5
R34	7030005120	S.RES ERJ2GEJ 102 X (1K)	T	34.1/23.6
R35	7030007340	S.RES ERJ2GEJ 153 X (15K)	T	38.4/24.6
R36	7030005110	S.RES ERJ2GEJ 224 X (220K)	T	37.5/25.9
R37	7030007280	S.RES ERJ2GEJ 331 X (330)	B	27.2/6.4
R38	7030005000	S.RES ERJ2GEJ 471 X (470)	T	37.3/8.9
R39	7030007270	S.RES ERJ2GEJ 151 X (150)	T	35.4/6.1
R40	7030005090	S.RES ERJ2GEJ 104 X (100K)	T	34.5/5.9
R41	7030004980	S.RES ERJ2GEJ 101 X (100)	T	30.1/6.4
R42	7030004980	S.RES ERJ2GEJ 101 X (100)	T	31.1/6.4
R43	7030004980	S.RES ERJ2GEJ 101 X (100)	T	32/5.9
R46	7030007340	S.RES ERJ2GEJ 153 X (15K)	T	42.5/2.2
R49	7030005050	S.RES ERJ2GEJ 103 X (10K)	T	41.6/2.8
R50	7030005050	S.RES ERJ2GEJ 103 X (10K)	T	44.9/10.4
R54	7030004990	S.RES ERJ2GEJ 221 X (220)	B	47.1/16.7
R55	7030005010	S.RES ERJ2GEJ 681 X (680)	B	46.6/20.7
R56	7030005000	S.RES ERJ2GEJ 471 X (470)	T	47.9/25.6
R57	7030005060	S.RES ERJ2GEJ 333 X (33K)	T	46.3/30.9
R59	7030007290	S.RES ERJ2GEJ 222 X (2.2K)	T	47.3/27.9
R60	7030005170	S.RES ERJ2GEJ 474 X (470K)	T	46.6/24.4
R61	7030005050	S.RES ERJ2GEJ 103 X (10K)	T	46.1/28.1
R62	7030009160	S.RES ERJ2GEJ 181 X (180)	T	38.9/21.2
R63	7030005170	S.RES ERJ2GEJ 474 X (470K)	T	38.7/19.6
R64	7030009280	S.RES ERJ2GEJ 391 X	T	22.2/4.3
R65	7030007300	S.RES ERJ2GEJ 332 X (3.3K)	T	13.3/2.9
R66	7030005220	S.RES ERJ2GEJ 223 X (22K)	T	14.6/6.4
R67	7030004980	S.RES ERJ2GEJ 101 X (100)	T	25.5/9.2
R78	7030005710	S.RES ERJ2GEJ 121 X (120)	B	15.4/30.6
R88	7030005710	S.RES ERJ2GEJ 121 X (120)	T	14.7/29.9
R93	7030005710	S.RES ERJ2GEJ 121 X (120)	B	25.6/31.7
R99	7030005120	S.RES ERJ2GEJ 102 X (1K)	T	13.5/36.2
R100	7030007340	S.RES ERJ2GEJ 153 X (15K)	B	23.6/35.4
R101	7030007340	S.RES ERJ2GEJ 153 X (15K)	B	27.6/35.2
R103	7030005050	S.RES ERJ2GEJ 103 X (10K)	T	36.5/20.1
R105	7030005590	S.RES ERJ2GEJ 680 X (68)	T	24.2/33
R106	7030007340	S.RES ERJ2GEJ 153 X (15K)	T	21.8/30.9
R110	7030007340	S.RES ERJ2GEJ 153 X (15K)	T	31.8/36.7
R120	7030005040	S.RES ERJ2GEJ 472 X (4.7K)	B	32.4/4.3
R121	7030005120	S.RES ERJ2GEJ 102 X (1K)	B	34/3.3
R128	7030005050	S.RES ERJ2GEJ 103 X (10K)	B	20.6/15.2
R129	7030009280	S.RES ERJ2GEJ 391 X	B	13.7/11.6
R130	7030009280	S.RES ERJ2GEJ 391 X	B	9.7/22.6
R131	7030005220	S.RES ERJ2GEJ 223 X (22K)	B	10.3/21.4
R132	7030005220	S.RES ERJ2GEJ 223 X (22K)	B	11/17.7
R133	7030005040	S.RES ERJ2GEJ 472 X (4.7K)	B	11.6/16.5
R134	7030005040	S.RES ERJ2GEJ 472 X (4.7K)	B	8.9/15.2
R135	7030005040	S.RES ERJ2GEJ 472 X (4.7K)	B	8.9/18.5
R137	7030005120	S.RES ERJ2GEJ 102 X (1K)	T	20.9/12
R147	7030005120	S.RES ERJ2GEJ 102 X (1K)	B	19.3/21.2
R151	7030005120	S.RES ERJ2GEJ 102 X (1K)	B	20.6/20.8
R152	7030005040	S.RES ERJ2GEJ 472 X (4.7K)	B	21.8/21.3
R154	7030005120	S.RES ERJ2GEJ 102 X (1K)	B	34.6/7.5
R156	7030009140	S.RES ERJ2GEJ 272 X (2.7K)	T	16.4/5.3
R159	7030005050	S.RES ERJ2GEJ 103 X (10K)	B	39.1/27.1
R172	7030007340	S.RES ERJ2GEJ 153 X (15K)	T	44/13.8
R174	7030005050	S.RES ERJ2GEJ 103 X (10K)	T	44.8/7.5
R187	7030005530	S.RES ERJ2GEJ 100 X (10)	T	22.9/8.2
R196	7030005000	S.RES ERJ2GEJ 471 X (470)	T	6/8.5
R197	7030004990	S.RES ERJ2GEJ 221 X (220)	T	6/7.6
R198	7030008300	S.RES ERJ2GEJ 184 X (180K)	T	7.6/7.7
R199	7030005220	S.RES ERJ2GEJ 223 X (22K)	T	46.1/5.1
R200	7030005290	S.RES ERJ2GEJ 682 X (6.8K)	T	17.1/3.4
R201	7030005210	S.RES ERJ2GEJ 822 X (8.2K)	T	17.1/1.8
R202	7030004990	S.RES ERJ2GEJ 221 X (220)	T	18.3/3.6
R203	7030005120	S.RES ERJ2GEJ 102 X (1K)	T	41.4/27.9
R204	7030005050	S.RES ERJ2GEJ 103 X (10K)	B	40.7/29.8
R205	7030005050	S.RES ERJ2GEJ 103 X (10K)	B	33.4/28.2
R207	7030005050	S.RES ERJ2GEJ 103 X (10K)	B	38.2/27.1
R208	7030005050	S.RES ERJ2GEJ 103 X (10K)	B	33.7/24.2
R209	7030005030	S.RES ERJ2GEJ 152 X (1.5K)	B	32.9/29.4
R210	7030007260	S.RES ERJ2GEJ 330 X (33)	B	10.5/19.5
R215	7030007260	S.RES ERJ2GEJ 330 X (33)	B	9.3/21.3
R219	7030007290	S.RES ERJ2GEJ 222 X (2.2K)	T	41.1/25.8
R220	7030005300	S.RES ERJ2GEJ 150 X (15)	T	24.8/22.4
R221	7030007280	S.RES ERJ2GEJ 331 X (330)	T	24.4/21.2
R222	7030007290	S.RES ERJ2GEJ 222 X (2.2K)	T	7.9/23.7
R223	7030007290	S.RES ERJ2GEJ 222 X (2.2K)	T	9.8/21.4
R224	7030007300	S.RES ERJ2GEJ 332 X (3.3K)	T	13.4/19.7
R225	7030007290	S.RES ERJ2GEJ 222 X (2.2K)	T	6.2/20.4
R226	7030007290	S.RES ERJ2GEJ 222 X (2.2K)	T	8.7/18.2
R228	7030004980	S.RES ERJ2GEJ 101 X (100)	T	17.7/14.9
R229	7030005240	S.RES ERJ2GEJ 473 X (47K)	T	19.4/18.6
R230	7030005050	S.RES ERJ2GEJ 103 X (10K)	T	17.8/18.6
R231	7030005120	S.RES ERJ2GEJ 102 X (1K)	T	29.1/31.5
R232	7030010040	S.RES ERJ2GEJ-JPW	T	8.8/35.1
R236	7030004970	S.RES ERJ2GEJ 470 X (47)	T	6.9/33.4
R237	7030005050	S.RES ERJ2GEJ 103 X (10K)	T	3.4/30.4

[RF UNIT]

REF NO.	PARTS NO.	DESCRIPTION	M.	H/V LOCATION
R240	7030005120	S.RES ERJ2GEJ 102 X (1K)	T	7.6/22.5
R241	7030005120	S.RES ERJ2GEJ 102 X (1K)	B	4.3/18.2
R243	7030005090	S.RES ERJ2GEJ 104 X (100K)	T	3.4/20.6
R245	7030005220	S.RES ERJ2GEJ 223 X (22K)	T	4.4/11.9
R247	7030004980	S.RES ERJ2GEJ 101 X (100)	B	5.3/22
R250	7030005570	S.RES ERJ2GEJ 820 X (82)	T	26.9/26
R319	7030005300	S.RES ERJ2GEJ 150 X (15)	B	6/7
R320	7030005300	S.RES ERJ2GEJ 150 X (15)	B	7.3/9.3
R321	7030005710	S.RES ERJ2GEJ 121 X (120)	T	8.7/9.3
R323	7030005710	S.RES ERJ2GEJ 121 X (120)	B	27.7/25.1
R324	7030005570	S.RES ERJ2GEJ 820 X (82)	B	31.8/25.7
R325	7030004980	S.RES ERJ2GEJ 101 X (100)	B	30.6/25.3
R326	7030005570	S.RES ERJ2GEJ 820 X (82)	B	31.8/24.8
R329	7030008300	S.RES ERJ2GEJ 184 X (180K)	T	16.8/10.4
R330	7030005240	S.RES ERJ2GEJ 473 X (47K)	T	18.2/10.7
R332	7030005040	S.RES ERJ2GEJ 472 X (4.7K)	B	18.5/37.2
R334	7030005050	S.RES ERJ2GEJ 101 X (10K)	B	21.8/38.5
R335	7030005240	S.RES ERJ2GEJ 473 X (47K)	T	4.1/32.3
R337	7030005220	S.RES ERJ2GEJ 223 X (22K)	T	45.2/27.4
R338	7030005220	S.RES ERJ2GEJ 223 X (22K)	T	45/24.4
R339	7030005050	S.RES ERJ2GEJ 103 X (10K)	T	44.4/30
R341	7030005120	S.RES ERJ2GEJ 102 X (1K)	T	37.8/16.8
R342	7030005090	S.RES ERJ2GEJ 104 X (100K)	T	36.9/15.3
R343	7030005240	S.RES ERJ2GEJ 473 X (47K)	T	37.7/19.3
R344	7030005090	S.RES ERJ2GEJ 104 X (100K)	T	37.9/14.2
R345	7030005170	S.RES ERJ2GEJ 474 X (470K)	T	40.4/18.2
R346	7030005120	S.RES ERJ2GEJ 102 X (1K)	T	40.5/19.5
R347	7030004970	S.RES ERJ2GEJ 470 X (47)	B	42/31.9
R348	7030004990	S.RES ERJ2GEJ 221 X (220)	T	39.9/25.9
R349	7030004980	S.RES ERJ2GEJ 101 X (100)	T	44.7/25.7
R351	7030007300	S.RES ERJ2GEJ 332 X (3.3K)	T	38/10.4
R356	7030005090	S.RES ERJ2GEJ 104 X (100K)	T	43.2/29.8
R358	7030005040	S.RES ERJ2GEJ 472 X (4.7K)	B	11.9/9.6
R359	7030009140	S.RES ERJ2GEJ 272 X (2.7K)	B	14.3/9.8
R360	7030005120	S.RES ERJ2GEJ 102 X (1K)	B	16.9/9.2
R361	7030005240	S.RES ERJ2GEJ 473 X (47K)	B	18.9/9.7
R366	7030005720	S.RES ERJ2GEJ 563 X (56K)	B	10.4/6.8
R368	7030008280	S.RES ERJ2GEJ 271 X (270)	B	8.7/5.7
R369	7030004980	S.RES ERJ2GEJ 101 X (100)	B	17.2/5.4
R370	7030004970	S.RES ERJ2GEJ 470 X (47)	B	7.7/4.9
R371	7030007260	S.RES ERJ2GEJ 330 X (33)	T	16.4/25.9
R372	7030007260	S.RES ERJ2GEJ 330 X (33)	B	17.7/25.9
R373	7030005050	S.RES ERJ2GEJ 103 X (10K)	B	25.8/13.5
R374	7030005050	S.RES ERJ2GEJ 103 X (10K)	B	25.8/16.8
R375	7030005050	S.RES ERJ2GEJ 103 X (10K)	B	25.8/14.4
R376	7030007300	S.RES ERJ2GEJ 332 X (3.3K)	T	19.3/23
R378	7030005090	S.RES ERJ2GEJ 104 X (100K)	T	4.4/127.4
R379	7030005090	S.RES ERJ2GEJ 104 X (100K)	B	46/27.5
R380	7030005090	S.RES ERJ2GEJ 104 X (100K)	B	12.5/32.9
R381	7030005090	S.RES ERJ2GEJ 104 X (100K)	T	14.1/34.9
R382	7030005090	S.RES ERJ2GEJ 104 X (100K)	B	26.1/18.1
R383	7030005080	S.RES ERJ2GEJ 823 X (82K)	T	10.6/36.6
R384	7030007300	S.RES ERJ2GEJ 332 X (3.3K)	T	40/6.8
R385	7030008410	S.RES ERJ2GEJ 392 X (3.9K)	B	18.3/15.2
R386	7030005060	S.RES ERJ2GEJ 333 X (33K)	T	34.7/11.5
R387	7030005580	S.RES ERJ2GEJ 560 X (56)	T	42.1/32.3
R389	7030005090	S.RES ERJ2GEJ 104 X (100K)	B	38.4/15.7
R390	7030005710	S.RES ERJ2GEJ 121 X (120)	B	9.9/5
R391	7030005710	S.RES ERJ2GEJ 121 X (120)	B	13.2/2.6
R392	7030005290	S.RES ERJ2GEJ 682 X (6.8K)	B	13.5/4.4
R393	7030005290	S.RES ERJ2GEJ 682 X (6.8K)	B	14.7/3.9
R394	7030008370	S.RES ERJ2GEJ 561 X (560)	T	46.3/29.7
R395	7510001760	S.THE NTCG10 4BH 103JT	T	46.4/31.8
R396	7030010			



[RF UNIT]

REF NO.	PARTS NO.	DESCRIPTION	M.	H/V LOCATION
C52	4030017730	S.CER C1005 JB 1H 471K-T	T	27.3/38.3
C54	4030017460	S.CER C1005 JB 1H 102K-T	B	22.5/36.9
C55	4030017460	S.CER C1005 JB 1H 102K-T	T	14.2/31.5
C58	4030017460	S.CER C1005 JB 1H 102K-T	T	23.4/26.9
C59	4030017350	S.CER C1005 CH 1H 020B-T	T	20.4/26.8
C67	4030017660	S.CER C1005 CH 1H 330J-T	B	8.2/26.8
C69	4030017580	S.CER C1005 CH 1H 060C-T	B	14.7/26.9
C70	4030017460	S.CER C1005 JB 1H 102K-T	T	27.4/24.8
C71	4030017370	S.CER C1005 CH 1H 3R5B-T	T	31.4/29.8
C73	4030017460	S.CER C1005 JB 1H 102K-T	T	35/23.2
C74	4030017460	S.CER C1005 JB 1H 102K-T	T	36.9/21.7
C75	4030017460	S.CER C1005 JB 1H 102K-T	T	40.8/23
C78	4550006910	S.TAN TEESVP 1C 334M8R	B	28.9/8.5
C79	4030017460	S.CER C1005 JB 1H 102K-T	B	27.3/8.3
C80	4030017420	S.CER C1005 CH 1H 470J-T	B	32.7/9.4
C81	4030017460	S.CER C1005 JB 1H 102K-T	B	36.2/7.5
C82	4550007480	S.TAN F930J106MAABMA	B	28.8/3.2
C84	4030017460	S.CER C1005 JB 1H 102K-T	T	36.4/10.5
C85	4030016790	S.CER C1005 JB 1E 103K-T	T	36.9/3.6
C86	4030016930	S.CER C1005 JB 1A 104K-T	T	38.7/4
C87	4030017420	S.CER C1005 CH 1H 470J-T	T	32/4.3
C88	4030017420	S.CER C1005 CH 1H 470J-T	T	31.1/4.8
C89	4030017420	S.CER C1005 CH 1H 470J-T	T	30.1/4.8
C90	4030016790	S.CER C1005 JB 1E 103K-T	T	39.2/11
C92	4030016790	S.CER C1005 JB 1E 103K-T	T	46.3/15.4
C93	4030017730	S.CER C1005 JB 1H 471K-T	B	47.1/17.6
C94	4030017460	S.CER C1005 JB 1H 102K-T	T	48.2/24.4
C95	4030017460	S.CER C1005 JB 1H 102K-T	T	45.1/31.9
C96	4030016790	S.CER C1005 JB 1E 103K-T	T	47.5/30.6
C98	4030017440	S.CER C1005 CH 1H 221J-T	T	47/26.5
C99	4030017440	S.CER C1005 CH 1H 221J-T	T	46.1/26.5
C101	4030017420	S.CER C1005 CH 1H 470J-T	B	47.3/19.8
C102	4030017460	S.CER C1005 JB 1H 102K-T	T	39.7/24.1
C103	4030016790	S.CER C1005 JB 1E 103K-T	T	39.6/20
C105	4550000540	S.TAN TEESVA 1V 154M8R	T	10/2.3
C106	4030016930	S.CER C1005 JB 1A 104K-T	T	15.6/6.9
C107	4030011810	S.CER C1608 JB 1A 224K-T	T	28.3/3.4
C108	4030011810	S.CER C1608 JB 1A 224K-T	B	22.3/3.1
C118	4030017460	S.CER C1005 JB 1H 102K-T	B	14.5/30.6
C119	4030017460	S.CER C1005 JB 1H 102K-T	B	16.8/25.9
C121	4030017590	S.CER C1005 CH 1H 070C-T	B	25.4/27
C134	4030017460	S.CER C1005 JB 1H 102K-T	T	13.8/29.9
C136	4030017630	S.CER C1005 CH 1H 120J-T	T	24/25.6
C138	4030017730	S.CER C1005 JB 1H 471K-T	B	26.5/31.7
C139	4030017620	S.CER C1005 CH 1H 100C-T	B	30.3/34.9
C141	4030016790	S.CER C1005 JB 1E 103K-T	T	22.2/34.1
C142	4030017460	S.CER C1005 JB 1H 102K-T	T	24.5/31.5
C145	4030017730	S.CER C1005 JB 1H 471K-T	B	24/33.1
C147	4030017560	S.CER C1005 CH 1H 2R5B-T	T	29.4/34.8
C148	4030017730	S.CER C1005 JB 1H 471K-T	T	30.6/37.9
C150	4030017460	S.CER C1005 JB 1H 102K-T	T	23.8/24.4
C153	4030016930	S.CER C1005 JB 1A 104K-T	B	30.6/23.4
C154	4030017620	S.CER C1005 CH 1H 100C-T	B	35.5/6.6
C155	4030017380	S.CER C1005 CH 1H 050B-T	B	25.9/7.3
C160	4030017460	S.CER C1005 JB 1H 102K-T	B	9.1/9.8
C167	4030017460	S.CER C1005 JB 1H 102K-T	B	11.9/17.7
C168	4030017460	S.CER C1005 JB 1H 102K-T	B	12.8/17.7
C169	4030017460	S.CER C1005 JB 1H 102K-T	T	23.2/21.7
C170	4030017460	S.CER C1005 JB 1H 102K-T	B	11.2/22
C171	4030017460	S.CER C1005 JB 1H 102K-T	T	21.8/21
C172	4030017460	S.CER C1005 JB 1H 102K-T	T	22.1/15.6
C175	4030017420	S.CER C1005 CH 1H 470J-T	B	21.8/15.6
C176	4030017420	S.CER C1005 CH 1H 470J-T	T	22.9/19.9
C186	4030017460	S.CER C1005 JB 1H 102K-T	B	10.1/18.3
C188	4030017460	S.CER C1005 JB 1H 102K-T	B	9/19.7
C190	4030017360	S.CER C1005 CH 1H 030B-T	B	18.4/16.4
C191	4030017570	S.CER C1005 CH 1H 040B-T	B	20/16.9
C192	4030017590	S.CER C1005 CH 1H 070C-T	B	20.6/18.1
C193	4030017630	S.CER C1005 CH 1H 120J-T	B	18.4/17.3
C194	4030017670	S.CER C1005 CH 1H 390J-T	B	19.4/18.5
C195	4030017550	S.CER C1005 CH 1H 1R5B-T	B	13.8/22
C196	4030017360	S.CER C1005 CH 1H 030B-T	B	15.9/22.6
C197	4030017380	S.CER C1005 CH 1H 050B-T	B	18.3/22.6
C198	4030017610	S.CER C1005 CH 1H 090C-T	B	14.7/22.2
C199	4030017650	S.CER C1005 CH 1H 270J-T	B	17.1/22.2
C201	4030016930	S.CER C1005 JB 1A 104K-T	T	40.2/28
C202	4030016930	S.CER C1005 JB 1A 104K-T	B	37.3/28
C203	4030016930	S.CER C1005 JB 1A 104K-T	T	41.2/5.9
C206	4030017370	S.CER C1005 CH 1H 3R5B-T	T	27.4/23.4
C207	4030017670	S.CER C1005 CH 1H 390J-T	B	30.4/6.9
C208	4030017420	S.CER C1005 CH 1H 470J-T	B	32.3/8.1
C209	4030017460	S.CER C1005 JB 1H 102K-T	B	33.6/8.6
C210	4340000300	S.MYL ECHU TC 223JX5	T	18/7
C214	4030017460	S.CER C1005 JB 1H 102K-T	B	29/31.9
C216	4030017630	S.CER C1005 CH 1H 120J-T	T	7.7/30
C218	4030017340	S.CER C1005 CH 1H 010B-T	T	8.9/29.7
C221	4030016790	S.CER C1005 JB 1E 103K-T	T	40.7/4
C233	4030017460	S.CER C1005 JB 1H 102K-T	B	22.6/25.5
C234	4030017460	S.CER C1005 JB 1H 102K-T	T	31.4/28.2
C236	4030017460	S.CER C1005 JB 1H 102K-T	B	6/8.6
C237	4030017460	S.CER C1005 JB 1H 102K-T	T	7.2/9.3
C239	4030016790	S.CER C1005 JB 1E 103K-T	T	45.2/5.1
C241	4030011810	S.CER C1608 JB 1A 224K-T	B	42.3/18.8
C242	4030011810	S.CER C1608 JB 1A 224K-T	B	45.8/17.4
C243	4030017580	S.CER C1005 CH 1H 060C-T	B	17.1/27.2
C246	4030016790	S.CER C1005 JB 1E 103K-T	T	34.4/25.9
C248	4550000540	S.TAN TEESVA 1V 154M8R	T	6.5/4.1
C250	4030017600	S.CER C1005 CH 1H 080C-T	B	38.5/7.9
C251	4030017570	S.CER C1005 CH 1H 040B-T	B	37.4/6.1
C252	4030017600	S.CER C1005 CH 1H 080C-T	B	38.5/4.1
C256	4030017460	S.CER C1005 JB 1H 102K-T	T	4.3/5.8
C258	4030017460	S.CER C1005 JB 1H 102K-T	T	8.8/9.9
C259	4030017460	S.CER C1005 JB 1H 102K-T	T	27.2/8.5
C264	4030017460	S.CER C1005 JB 1H 102K-T	B	28.5/38.2
C266	4030017560	S.CER C1005 CH 1H 2R5B-T	B	16.1/19.7

[RF UNIT]

REF NO.	PARTS NO.	DESCRIPTION	M.	H/V LOCATION
C267	4030017360	S.CER C1005 CH 1H 030B-T	B	14/17.3
C410	4030017460	S.CER C1005 JB 1H 102K-T	T	11.7/25.4
C414	4030017460	S.CER C1005 JB 1H 102K-T	T	25.7/34.5
C416	4030017650	S.CER C1005 CH 1H 270J-T	B	10.1/27.8
C423	4550003220	S.TAN TEESVA 1E 105M8R	T	12.8/6.7
C424	4030017460	S.CER C1005 JB 1H 102K-T	B	34.6/28
C425	4030017370	S.CER C1005 CH 1H 3R5B-T	T	38.3/11.6
C427	4030017400	S.CER C1005 CH 1H 220J-T	B	42.1/32.8
C430	4030016790	S.CER C1005 JB 1E 103K-T	B	33.1/31
C431	4030016790	S.CER C1005 JB 1E 103K-T	T	35.7/26.4
C432	4030017460	S.CER C1005 JB 1H 102K-T	T	39.9/26.8
C434	4030016930	S.CER C1005 JB 1A 104K-T	T	44.3/8.8
C435	4030017360	S.CER C1005 CH 1H 030B-T	T	43/31.4
C436	4030017360	S.CER C1005 CH 1H 030B-T	T	41.8/31.1
C501	4030018860	S.CER C1005 JB 0J 105K-T	T	31.3/20.9
C503	4030018860	S.CER C1005 JB 0J 105K-T	T	28.9/20.7
C504	4030018860	S.CER C1005 JB 0J 105K-T	T	34/21.7
C505	4030018860	S.CER C1005 JB 0J 105K-T	T	32.7/21.4
C507	4030017690	S.CER C1005 CH 1H 121J-T	B	35.5/28
C510	4030017350	S.CER C1005 CH 1H 020B-T	B	6.4/5.5
C511	4030017660	S.CER C1005 CH 1H 330J-T	B	4.8/30.8
C512	4030017660	S.CER C1005 CH 1H 330J-T	B	4.5/29.6
C513	4030017680	S.CER C1005 CH 1H 820J-T	B	4.8/33.1
C514	4030017000	S.CER C1005 CH 1H 151J-T	B	2.7/31.5
C515	4030017430	S.CER C1005 CH 1H 101J-T	B	3/28.1
C516	4030017440	S.CER C1005 CH 1H 221J-T	T	8.3/24.6
C517	4030017710	S.CER C1005 CH 1H 181J-T	T	9.5/23.8
C518	4030017460	S.CER C1005 JB 1H 102K-T	T	10.8/21.4
C519	4030017910	S.CER C1005 JB 1H 152K-T	T	10.4/24.1
C520	4030016790	S.CER C1005 JB 1E 103K-T	T	10.6/22.6
C521	4030016930	S.CER C1005 JB 1A 104K-T	T	8.9/21.2
C522	4030016790	S.CER C1005 JB 1E 103K-T	T	5.3/20.3
C523	4030017910	S.CER C1005 JB 1H 152K-T	T	7/17.9
C524	4030016790	S.CER C1005 JB 1E 103K-T	T	9/17.2
C525	4030016790	S.CER C1005 JB 1E 103K-T	T	5.3/19.1
C526	4030016940	S.CER C1005 JB 1A 393K-T	T	7.8/16.7
C527	4030017680	S.CER C1005 CH 1H 820J-T	T	11.4/16.6
C528	4030017650	S.CER C1005 CH 1H 270J-T	T	14/15.7
C529	4030017700	S.CER C1005 CH 1H 151J-T	T	11.3/14.1
C530	4030017720	S.CER C1005 JB 1H 331K-T	T	12.8/14.1
C531	4030017710	S.CER C1005 CH 1H 181J-T	T	15.3/13.3
C532	4030016930	S.CER C1005 JB 1A 104K-T	T	2.9/19.1
C534	4030017720	S.CER C1005 JB 1H 331K-T	T	7.7/20.3
C535	4030017460	S.CER C1005 JB 1H 102K-T	T	9.5/19.7
C536	4030016930	S.CER C1005 JB 1A 104K-T	T	8.1/11.8
C537	4030016930	S.CER C1005 JB 1A 104K-T	T	16.2/18.7
C538	4030016930	S.CER C1005 JB 1A 104K-T	T	16.8/14.9
C539	4030016930	S.CER C1005 JB 1A 104K-T	T	20.6/22.7
C541	4030016790	S.CER C1005 JB 1E 103K-T	T	8.8/36.3
C542	4030016930	S.CER C1005 JB 1A 104K-T	T	10.5/34.8
C543	4030016930	S.CER C1005 JB 1A 104K-T	T	7.1/31.8
C548	4030017460	S.CER C1005 JB 1H 102K-T	B	14.1/32
C549	4030017460	S.CER C1005 JB 1H 102K-T	T	12/32.5
C550	4030017460	S.CER C1005 JB 1H 102K-T	T	15.6/29.6
C554	4030017420	S.CER C1005 CH 1H 470J-T	B	23.4/36.6
C558	4030017460	S.CER C1005 JB 1H 102K-T	T	3.7/26
C560	4030017460	S.CER C1005 JB 1H 102K-T	T	1.4/5
C561	4030017460	S.CER C1005 JB 1H 102K-T	B	2.8/4.9
C562	4030018860	S.CER C1005 JB 0J 105K-T	B	25/18
C566	4030016790	S.CER C1005 JB 1E 103K-T	B	5.7/20.8
C567	4030016930	S.CER C1005 JB 1A 104K-T	T	3/21.8
C568	4030017420	S.CER C1005 CH 1H 470J-T	T	5.7/14.3
C569	4030016930	S.CER C1005 JB 1A 104K-T	T	8.1/13.2
C571	4030017460	S.CER C1005 JB 1H 102K-T	T	8.6/14.1
C654	4550007630	S.TAN F920J475MPABMA	T	20.8/5.4
C657	4030018100	S.CER C1005 JB 1H 681K-T	T	10.8/19.3
C658	4030017760	S.CER C1005 JB 1H 222K-T	T	12/19.7
C659	4550007480	S.TAN F930J106MAABMA	B	40.9/24.4
C662	4030016930	S.CER C1005 JB 1A 104K-T	B	30/30.6
C663	4030016930	S.CER C1005 JB 1A 104K-T	B	29.2/26.2
C664	4030016930	S.CER C1005 JB 1A 104K-T	B	27/23.9
C665	4030017430	S.CER C1005 CH 1H 101J-T	T	21/35.2
C666	4030018140	S.CER C1005 JB 1H 391K-T	T	20.6/33.9
C668	4030016790	S.CER C1005 JB 1E 103K-T	T	35.3

[RF UNIT]

REF NO.	PARTS NO.	DESCRIPTION	M.	H/V LOCATION
C716	4030017550	S.CER C1005 CH 1H 1R5B-T	B	12.5/21.7
C719	4030016790	S.CER C1005 JB 1E 103K-T	T	40.1/8.4
C720	4030017350	S.CER C1005 CH 1H 020B-T	T	4.7/4.2
C721	4030017350	S.CER C1005 CH 1H 020B-T	T	3.4/2
C722	4030017460	S.CER C1005 JB 1H 102K-T	T	8.9/27.3
C723	4030016930	S.CER C1005 JB 1A 104K-T	B	31.3/27.6
C724	4030017460	S.CER C1005 JB 1H 102K-T	B	17/6.4
C725	4030017460	S.CER C1005 JB 1H 102K-T	B	11.6/2.6
C726	4030017460	S.CER C1005 JB 1H 102K-T	B	13.5/3.5
C727	4030017350	S.CER C1005 CH 1H 020B-T	B	11.7/6
C728	4030017550	S.CER C1005 CH 1H 1R5B-T	B	13.5/5.4
C729	4030017540	S.CER C1005 CH 1H R75B-T	B	11.9/7.3
C730	4030017620	S.CER C1005 CH 1H 100C-T	T	46.4/25.3
C731	4030018860	S.CER C1005 JB 0J 105K-T	T	6.2/32.1
C732	4030018860	S.CER C1005 JB 0J 105K-T	B	14.4/32.9
C733	4030018860	S.CER C1005 JB 0J 105K-T	T	21.7/24.3
C734	4030018860	S.CER C1005 JB 0J 105K-T	B	21.6/35.8
C735	4030018860	S.CER C1005 JB 0J 105K-T	T	15.1/31.5
C736	4030018860	S.CER C1005 JB 0J 105K-T	T	1.1/11.1
C737	4030018860	S.CER C1005 JB 0J 105K-T	T	1.1/10.2
C738	4030016930	S.CER C1005 JB 1A 104K-T	T	20.9/8.3
C739	4030017670	S.CER C1005 CH 1H 390J-T	T	47/5
J1	6510020121	S.CON AXK6S40547YG	T	29.5/16
EP2	3310004220	ANT KY-058-007-01 <KAI>		
EP3	6910018460	S.BEA MMZ1005Y102C-T	T	17/38.6
MP1	8510019650	S.CAS 3250 VCO CASE Y1179	B	12.7/6.1
MP8	8510019650	S.CAS 3250 VCO CASE Y1179	B	32.3/6.1
MP9	8510019650	S.CAS 3250 VCO CASE Y1179	B	15.2/18.9
MP10	6910014760	S.PLA OG-503040	T	15.8/22.1

[LOGIC UNIT]

REF NO.	PARTS NO.	DESCRIPTION	M.	H/V LOCATION
IC1	1140015260	S.IC UPD78F1508AGF(R)-GAT-AX	T	20.1/25
IC2	1130012691	S.IC R1EX24256ASA00A	B	9.8/17.9
IC3	1110005821	S.IC R3112N281A-TR-F	T	72.2/6
IC100	1130007111	S.IC TC7W04FU(TE12L,F)	B	38.5/7.8
IC102	6910021220	S.DC TPS61025DRCR	B	39.3/26.2
IC103	1180003550	S.REG NJU7775F18-TE1-#ZZZB	B	36/16.6
IC104	1180003540	S.REG NJU7775F03-TE1-#ZZZB	T	65.9/46.2
IC200	1110003800	S.IC NJM2904V-TE1-#FMZB	T	53.5/5.6
IC450	1110007590	S.IC TS4990IST	B	16.2/41.9
IC451	1130011860	S.IC SM6451BT-G-E2	B	16.6/33
IC452	1130007111	S.IC TC7W04FU(TE12L,F)	B	12/10.3
IC454	1180003380	S.REG NJU7775F32-TE1-#ZZZB	B	11/48.1
IC455	1180003460	S.REG NJM2831F05-TE1-#ZZZB	T	59.2/49.8
Q1	1590004070	S.TRA LDTC144EET1G <SLVJ>	B	20.9/34.1
Q4	1590004070	S.TRA LDTC144EET1G <SLVJ>	T	24.3/44.8
Q5	1530003990	S.TRA 2SC4738-BL(TE85L,F)	T	19.5/43.2
Q100	1530003990	S.TRA 2SC4738-BL(TE85L,F)	B	43.4/18
Q102	1510001100	S.TRA 2SA1832-GR(TE85R,F)	B	22.6/40.5
Q103	1510001100	S.TRA 2SA1832-GR(TE85R,F)	T	52.5/46.9
Q104	1510001100	S.TRA 2SA1832-GR(TE85R,F)	T	55.9/46.6
Q200	1590004050	S.TRA LDTA144EET1G <SLVJ>	B	27.7/8.8
Q300	1530003990	S.TRA 2SC4738-BL(TE85L,F)	B	15.8/17.9
Q301	1590001190	S.TRA XP6501-(TX),AB	B	19/12.1
Q302	1590001391	S.FET 2SJ144-Y(TE85R,F)	B	20.7/14.7
Q350	1590001391	S.FET 2SJ144-Y(TE85R,F)	B	17.6/20.9
Q500	1590002950	S.FET HAT1023R-EL	B	41.5/46.8
Q501	1520000460	S.TRA 2SB1132 T100 R	B	40.6/41.6
Q502	1590004070	S.TRA LDTC144EET1G <SLVJ>	B	34.3/37.6
Q503	1510001100	S.TRA 2SA1832-GR(TE85R,F)	B	8/12.7
Q504	1530004000	S.TRA 2SC4738-GR(TE85L,F)	B	5.8/15.2
Q505	1510001100	S.TRA 2SA1832-GR(TE85R,F)	B	20.8/24.3
Q507	1560001690	S.FET SSM3K01T(TE85L,F)	B	14.7/47.4
Q508	1590004070	S.TRA LDTC144EET1G <SLVJ>	B	23.8/18.8
Q509	1590004070	S.TRA LDTC144EET1G <SLVJ>	B	33/35.4
Q510	1590004050	S.TRA LDTA144EET1G <SLVJ>	B	36.6/36.9
Q511	1590004070	S.TRA LDTC144EET1G <SLVJ>	T	18.1/47.6
Q512	1510001100	S.TRA 2SA1832-GR(TE85R,F)	T	62.1/49.6
Q513	1510001100	S.TRA 2SA1832-GR(TE85R,F)	T	58.3/46.5
D100	1790001561	S.DIO 1SS372(TE85R,F)	B	43.4/6.5
D101	1790001561	S.DIO 1SS372(TE85R,F)	B	43.4/9
D102	1790001561	S.DIO 1SS372(TE85R,F)	B	43.3/11.5
D103	1790001561	S.DIO 1SS372(TE85R,F)	B	43/14
D300	1790001251	S.DIO MA2S1110GL	B	16.3/14.7
D500	1790000671	S.DIO SB07-03C-TB-E	B	45.8/42
D501	1790001241	S.DIO MA2S7280GL	B	36.5/45.2
D503	1750000370	S.DIO DA221 TL	B	36.1/39.5
D504	1750000940	S.DIO 1SS400 TE61	B	4.2/17.3
D505	1750000940	S.DIO 1SS400 TE61	B	14.9/50
D507	1750000940	S.DIO 1SS400 TE61	B	39.8/36.5
D508	1750000880	S.DIO RB551V-30TE-17	B	33.4/42.9
D509	1750000880	S.DIO RB551V-30TE-17	T	74.8/46.9
D510	1750000370	S.DIO DA221 TL	T	47/33.4
D511	1730002351	S.ZEN MAZ8110GML	T	28/49.9
D521	1750000880	S.DIO RB551V-30TE-17	T	56.6/49.3
X1	6060000850	S.CER CSTCE12M2G52-R0	B	21.4/28.9
L100	6200014060	S.COI CDRH4D28NP-101NCI 100U	B	39.3/31.1
L101	6200003640	S.COI MLF1608E 100K-T	B	33.8/5.9
L102	6200014070	S.COI LQH3NPN220MG0L	T	43.8/32.5
R2	7030010040	S.RES ERJ2GEJ-JPW [EUR]	T	16.4/39.6
	7030010040	S.RES ERJ2GEJ-JPW [FRA]		
	7030010040	S.RES ERJ2GEJ-JPW [EUR-01]		
	7030010040	S.RES ERJ2GEJ-JPW [FRA-01]		
R3	7030010040	S.RES ERJ2GEJ-JPW [UK]	T	17.4/39.6
	7030010040	S.RES ERJ2GEJ-JPW [USA]		
	7030010040	S.RES ERJ2GEJ-JPW [USA-01]		
R4	7030010040	S.RES ERJ2GEJ-JPW [USA]	T	18.5/39.5
	7030010040	S.RES ERJ2GEJ-JPW [FRA]		
	7030010040	S.RES ERJ2GEJ-JPW [ESP]		
	7030010040	S.RES ERJ2GEJ-JPW [USA-01]		
	7030010040	S.RES ERJ2GEJ-JPW [FRA-01]		
	7030010040	S.RES ERJ2GEJ-JPW [ESP-01]		
R5	7030010040	S.RES ERJ2GEJ-JPW [CHN]	T	19.4/39.4
	7030010040	S.RES ERJ2GEJ-JPW [ITA]		
	7030010040	S.RES ERJ2GEJ-JPW [FRA]		
	7030010040	S.RES ERJ2GEJ-JPW [ESP]		
	7030010040	S.RES ERJ2GEJ-JPW [EXP]		
	7030010040	S.RES ERJ2GEJ-JPW [CAN]		
	7030010040	S.RES ERJ2GEJ-JPW [CHN-01]		
	7030010040	S.RES ERJ2GEJ-JPW [ITA-01]		
	7030010040	S.RES ERJ2GEJ-JPW [FRA-01]		
	7030010040	S.RES ERJ2GEJ-JPW [ESP-01]		
	7030010040	S.RES ERJ2GEJ-JPW [CAN-01]		
R6	7030010040	S.RES ERJ2GEJ-JPW [USA]	B	49.3/46.3
	7030010040	S.RES ERJ2GEJ-JPW [FRA]		
	7030010040	S.RES ERJ2GEJ-JPW [USA-01]		
	7030010040	S.RES ERJ2GEJ-JPW [FRA-01]		
R7	7030010040	S.RES ERJ2GEJ-JPW [USA]	T	20.5/39.4
	7030010040	S.RES ERJ2GEJ-JPW [FRA]		
	7030010040	S.RES ERJ2GEJ-JPW [USA-01]		
	7030010040	S.RES ERJ2GEJ-JPW [FRA-01]		
R8	7030005240	S.RES ERJ2GEJ 473 X (47K)	T	7.8/10.7
R9	7030005240	S.RES ERJ2GEJ 473 X (47K)	T	9/10.9
R11	7030005120	S.RES ERJ2GEJ 102 X (1K)	T	12.4/10.8
R12	7030005120	S.RES ERJ2GEJ 102 X (1K)	T	13.5/10.4
R13	7030005120	S.RES ERJ2GEJ 102 X (1K)	T	14.6/10.4

M.=Mounted side (T: Mounted on the Top side, B: Mounted on the Bottom side)  
S.=Surface mount

[LOGIC UNIT]

REF NO.	PARTS NO.	DESCRIPTION	M.	H/V LOCATION
R14	7030005120	S.RES ERJ2GEJ 102 X (1K)	T	15.5/10.6
R15	7030005240	S.RES ERJ2GEJ 473 X (47K)	T	16.5/11.3
R16	7030005170	S.RES ERJ2GEJ 474 X (470K)	T	17.6/10.8
R17	7030010040	S.RES ERJ2GEJ-JPW	B	22.1/26.4
R19	7030005240	S.RES ERJ2GEJ 473 X (47K)	T	46.9/20
R21	7030005120	S.RES ERJ2GEJ 102 X (1K)	T	24.5/11.9
R22	7030005120	S.RES ERJ2GEJ 102 X (1K)	T	23.6/12
R23	7030005120	S.RES ERJ2GEJ 102 X (1K)	T	22.8/10.8
R24	7030004980	S.RES ERJ2GEJ 101 X (100)	T	19.6/40.9
R25	7030004980	S.RES ERJ2GEJ 101 X (100)	T	21.2/41.5
R31	7030005120	S.RES ERJ2GEJ 102 X (1K)	B	33/24.2
R33	7030005120	S.RES ERJ2GEJ 102 X (1K)	B	32.1/24.5
R34	7030005120	S.RES ERJ2GEJ 102 X (1K)	B	31.2/24.4
R36	7030005120	S.RES ERJ2GEJ 102 X (1K)	B	24.3/22.5
R39	7030005120	S.RES ERJ2GEJ 102 X (1K)	T	26.6/9.6
R41	7030005240	S.RES ERJ2GEJ 473 X (47K)	B	19.9/21
R42	7030005120	S.RES ERJ2GEJ 102 X (1K)	B	30.9/9.7
R43	7030005120	S.RES ERJ2GEJ 102 X (1K)	B	26.8/16.9
R44	7030005120	S.RES ERJ2GEJ 102 X (1K)	B	23.2/35.5
R49	7030006610	S.RES ERJ2GEJ 394 X (390K)	B	32.5/33.1
R50	7030005100	S.RES ERJ2GEJ 154 X (150K)	B	33.3/29
R51	7030005230	S.RES ERJ2GEJ 334 X (330K)	B	33.1/3.7
R52	7030005310	S.RES ERJ2GEJ 124 X (120K)	B	33/31.9
R53	7030005310	S.RES ERJ2GEJ 124 X (120K)	B	32/4.2
R54	7030005090	S.RES ERJ2GEJ 104 X (100K)	B	14.3/18.6
R55	7030005050	S.RES ERJ2GEJ 103 X (10K)	B	13.2/17.2
R56	7030003560	S.RES ERJ3GEYJ 103 V (10K)	T	67.5/6.3
R59	7030005710	S.RES ERJ2GEJ 121 X (120)	T	15.5/43.5
R62	7030012320	S.RES ERJ2RKD 2203X (220K)	B	46.6/39.6
R63	7030012320	S.RES ERJ2RKD 2203X (220K)	B	47.5/38.2
R64	7030005090	S.RES ERJ2GEJ 104 X (100K)	T	17.5/41.6
R65	7030005230	S.RES ERJ2GEJ 334 X (330K)	B	38.4/19
R100	7030005050	S.RES ERJ2GEJ 103 X (10K)	B	41.1/17.3
R103	7030008410	S.RES ERJ2GEJ 392 X (3.9K)	B	21.8/38.7
R104	7030005170	S.RES ERJ2GEJ 474 X (470K)	T	20.6/40.1
R106	7030005240	S.RES ERJ2GEJ 473 X (47K)	B	50.7/46
R107	7030005170	S.RES ERJ2GEJ 474 X (470K)	T	51.3/45
R108	7030005220	S.RES ERJ2GEJ 223 X (22K)	T	53.9/48
R109	7030005240	S.RES ERJ2GEJ 473 X (47K)	T	54.2/46.8
R111	7030005120	S.RES ERJ2GEJ 102 X (1K)	B	29.9/23.2
R200	7030005160	S.RES ERJ2GEJ 105 X (1M)	T	48.8/6.9
R201	7030005170	S.RES ERJ2GEJ 474 X (470K)	T	57.7/6.4
R202	7030005080	S.RES ERJ2GEJ 823 X (82K)	T	59.3/3.5
R203	7030009150	S.RES ERJ2GEJ 824 X (820K)	T	58.1/3.8
R204	7030005090	S.RES ERJ2GEJ 104 X (100K)	T	56.4/3.2
R205	7030005090	S.RES ERJ2GEJ 104 X (100K)	T	52.3/2.7
R206	7030005720	S.RES ERJ2GEJ 563 X (56K)	T	55.2/2.7
R207	7030007350	S.RES ERJ2GEJ 393 X (39K)	T	48.7/2.4
R208	7030005310	S.RES ERJ2GEJ 124 X (120K)	T	58.1/2.9
R209	7030005230	S.RES ERJ2GEJ 334 X (330K)	T	49.3/3.7
R300	7030005530	S.RES ERJ2GEJ 100 X (10)	B	22/17.7
R301	7030005220	S.RES ERJ2GEJ 223 X (22K)	B	18.6/18
R302	7030009270	S.RES ERJ2GEJ 821 X (82K)	B	14.2/16.4
R303	7030012230	S.RES ERJ2GEJ 475 X (4.7M)	B	17.2/17.8
R304	7030008300	S.RES ERJ2GEJ 184 X (180K)	B	15.1/15.9
R305	7030005080	S.RES ERJ2GEJ 823 X (82K)	B	16/12.6
R306	7030007340	S.RES ERJ2GEJ 153 X (15K)	B	18.4/15.1
R307	7030005090	S.RES ERJ2GEJ 104 X (100K)	B	22.4/10.2
R308	7030008300	S.RES ERJ2GEJ 184 X (180K)	B	17/11.3
R309	7030008300	S.RES ERJ2GEJ 184 X (180K)	B	17/11.2
R310	7030011910	S.RES ERJ2GEJ 106 X (10M)	B	20.8/11.7
R311	7030005170	S.RES ERJ2GEJ 474 X (470K)	B	21.8/11.7
R312	7030007320	S.RES ERJ2GEJ 225 X (2.2M)	B	18.4/14.1
R313	7030005160	S.RES ERJ2GEJ 105 X (1M)	B	22.5/15.5
R314	7030007320	S.RES ERJ2GEJ 225 X (2.2M)	B	23.6/11.7
R316	7030005310	S.RES ERJ2GEJ 124 X (120K)	B	23.5/16.7
R317	7030000140	S.RES MCR10EZHJ 10 (100)	B	36.3/43.3
R320	7030005090	S.RES ERJ2GEJ 104 X (100K)	B	24.7/14.7
R323	7030006610	S.RES ERJ2GEJ 394 X (390K)	B	24.6/12.9
R325	7030005240	S.RES ERJ2GEJ 473 X (47K)	B	14.4/12.6
R350	7030005040	S.RES ERJ2GEJ 472 X (4.7K)	B	20.1/18.5
R351	7030005160	S.RES ERJ2GEJ 105 X (1M)	B	17.5/23
R400	7030005120	S.RES ERJ2GEJ 102 X (1K)	B	23.5/5.6
R401	7030005110	S.RES ERJ2GEJ 224 X (220K)	B	13.9/42.5
R402	7030005220	S.RES ERJ2GEJ 223 X (22K)	B	18.9/43.5
R403	7030005100	S.RES ERJ2GEJ 154 X (150K)	B	18.5/39.5
R405	7030005240	S.RES ERJ2GEJ 473 X (47K)	B	21.8/22.5
R408	7030005110	S.RES ERJ2GEJ 224 X (220K)	B	18.9/23.7
R409	7030005090	S.RES ERJ2GEJ 104 X (100K)	B	18.5/38.6
R450	7030008300	S.RES ERJ2GEJ 184 X (180K)	T	24.3/49.6
R500	7030005090	S.RES ERJ2GEJ 104 X (100K)	B	38.4/50.1
R501	7030009140	S.RES ERJ2GEJ 272 X (2.7K)	B	37.5/38.7
R502	7030000130	S.RES MCR10EZHJ 8.2 (8R2)	B	36.3/41.5
R503	7030005050	S.RES ERJ2GEJ 103 X (10K)	B	6.8/11.6
R504	7030008290	S.RES ERJ2GEJ 183 X (18K)	B	4.9/13.5
R505	7030008290	S.RES ERJ2GEJ 183 X (18K)	B	6.3/12.8
R506	7030005240	S.RES ERJ2GEJ 473 X (47K)	B	9.5/12.4
R507	7030005090	S.RES ERJ2GEJ 104 X (100K)	B	11.3/12.8
R508	7030005090	S.RES ERJ2GEJ 104 X (100K)	B	10.4/12.8
R509	7030005120	S.RES ERJ2GEJ 102 X (1K)	T	28.7/35.8
R510	7030007350	S.RES ERJ2GEJ 393 X (39K)	T	48.4/3.7
R511	7030005050	S.RES ERJ2GEJ 103 X (10K)	T	56.5/2.3
R512	7030007340	S.RES ERJ2GEJ 153 X (15K)	T	11.5/11.1
R514	7030005050	S.RES ERJ2GEJ 103 X (10K)	B	17.8/27.5
R515	7030005170	S.RES ERJ2GEJ 474 X (470K)	B	37.2/19.5
R523	7030000140	S.RES MCR10EZHJ 10 (100)	B	12.3/44.5
R524	7030005170	S.RES ERJ2GEJ 474 X (470K)	B	8.7/49.1
R525	7030006610	S.RES ERJ2GEJ 394 X (390K)	B	8.8/47.5
R526	7030005170	S.RES ERJ2GEJ 474 X (470K)	B	16.6/49.6
R527	7030010040	S.RES ERJ2GEJ-JPW	B	15.9/38.1
R528	7510001770	S.THE NTCG10 4LH 473JT	B	75.4/50.2
R529	7030008260	S.RES RR0510P-393-D (39K)	B	73.8/50.2
R530	7030005120	S.RES ERJ2GEJ 102 X (1K)	B	38.5/38.4
R531	7030008290	S.RES ERJ2GEJ 183 X (18K)	B	19.1/44.4
R532	7030005040	S.RES ERJ2GEJ 472 X (4.7K)	T	27.7/43.5

[LOGIC UNIT]

REF NO.	PARTS NO.	DESCRIPTION	M.	H/V LOCATION
R533	7030005240	S.RES ERJ2GEJ 473 X (47K)	T	28.4/42.5
R538	7030005060	S.RES ERJ2GEJ 333 X (33K)	B	25.2/20.3
R542	7030005710	S.RES ERJ2GEJ 121 X (120)	T	15.3/42
R543	7030005050	S.RES ERJ2GEJ 103 X (10K)	T	67.8/4.7
R544	7030005050	S.RES ERJ2GEJ 103 X (10K)	T	69.5/4.7
R545	7030005090	S.RES ERJ2GEJ 104 X (100K)	B	20.2/7.7
R546	7030005090	S.RES ERJ2GEJ 104 X (100K)	B	16.3/8
R548	7030010040	S.RES ERJ2GEJ-JPW	T	47.2/18.8
R549	7030005090	S.RES ERJ2GEJ 104 X (100K)	T	12.8/43.2
R550	7030005090	S.RES ERJ2GEJ 104 X (100K)	T	13.8/43.2
R551	7030003400	S.RES ERJ3GEYJ 471 V (470)	T	1.8/29
R552	7030010040	S.RES ERJ2GEJ-JPW	B	17.9/44.6
R553	7030007290	S.RES ERJ2GEJ 222 X (2.2K)	T	21/12.5
R554	7030010040	S.RES ERJ2GEJ-JPW	T	47/3.3
R555	7030005240	S.RES ERJ2GEJ 473 X (47K)	B	22.8/25.2
R556	7030005230	S.RES ERJ2GEJ 334 X (330K)	T	26.6/45.1
R557	7030010040	S.RES ERJ2GEJ-JPW	T	55.9/44.5
R558	7030010040	S.RES ERJ2GEJ-JPW	T	46.7/30.5
R559	7030010040	S.RES ERJ2GEJ-JPW	T	46.7/28.1
R560	7030010040	S.RES ERJ2GEJ-JPW	T	46.7/26.4
R561	7030010040	S.RES ERJ2GEJ-JPW	T	46.9/17.3
R562	7030010040	S.RES ERJ2GEJ-JPW	T	47.8/13.4
R563	7030010430	S.RES ERJ2GEJ 120 X (12)	T	65.5/50.3
R564	7030005530	S.RES ERJ2GEJ 100 X (10)	T	65.5/51.2
C2	4030016930	S.CER C1005 JB 1A 104K-T	T	11/15.3
C5	4030017460	S.CER C1005 JB 1H 102K-T	T	10.2/11.7
C6	4030017460	S.CER C1005 JB 1H 102K-T	T	10.2/10.7
C7	4030017460	S.CER C1005 JB 1H 102K-T	T	12.3/8.4
C8	4030017460	S.CER C1005 JB 1H 102K-T	T	14.7/8.7
C9	4030017460	S.CER C1005 JB 1H 102K-T	T	16.3/8.4
C10	4030017460	S.CER C1005 JB 1H 102K-T	T	18.7/8.8
C11	4030017460	S.CER C1005 JB 1H 102K-T	T	19.6/8.6
C12	4030017390	S.CER C1005 CH 1H 180J-T	B	20.8/31.7
C13	4030016790	S.CER C1005 JB 1E 103K-T	B	21.5/35.8
C17	4030017460	S.CER C1005 JB 1H 102K-T	B	33.4/29.9
C18	4030017460	S.CER C1005 JB 1H 102K-T	B	33.2/31
C28	4030017460	S.CER C1005 JB 1H 102K-T	B	24.3/20.8
C29	4030017460	S.CER C1005 JB 1H 102K-T	T	23.3/41.7
C30	4030017460	S.CER C1005 JB 1H 102K-T	B	28/17.5
C31	4030017460	S.CER C1005 JB 1H 102K-T	T	23.1/40.8
C34	4030017460	S.CER C1005 JB 1H 102K-T	B	33.7/15.7
C35	4030017460	S.CER C1005 JB 1H 102K-T	B	31.1/4.1
C40	4030017460	S.CER C1005 JB 1H 102K-T	B	13/19.2
C43	4030016790	S.CER C1005 JB 1E 103K-T	T	69.5/7.3
C45	4030016930	S.CER C1005 JB 1A 104K-T	T	20.9/42.4
C46	4030017460	S.CER C1005 JB 1H 102K-T	T	21.4/39.4
C47	4030017460	S.CER C1005 JB 1H 102K-T	B	46.5/46.2
C48	4030017460	S.CER C1005 JB 1H 102K-T	B	19.2/4.8
C49	4030017460	S.CER C1005 JB 1H 102K-T	B	21.5/4.3
C51	4030016930	S.CER C1005 JB 1A 104K-T	B	13.7/44.1
C53	4030017530	S.CER C1005 CH 1H 0R5B-T	T	2.8/27.1
C100	4030017510	S.CER C1005 CH 1H 680J-T	B	37.7/4.2
C101	4030017490	S.CER C1608 JB 1A 105K-T	B	42.8/4.6
C103	4030017490	S.CER C1608 JB 1A 105K-T	B	40.8/5
C104	4030017490	S.CER C1608 JB 1A 105K-T	B	45.4/7.7
C106	4030017490	S.CER C1608 JB 1A 105K-T	B	41.4/7.6
C107	4030017490	S.CER C1608 JB 1A 105K-T	B	45.3/10.5
C108	4030017490	S.CER C1608 JB 1A 105K-T	B	41.3/10.7
C109	4030017490	S.CER C1608 JB 1A 105K-T	B	45.1/13.8
C110	4030017490	S.CER C1608 JB 1A 105K-T	B	40.8/14.2
C113	4030019090	S.CER C2012 JB 1C 225M-T	B	44/16.1
C114	4550006840	S.TAN TEESVA 1E 225M8R	B	46.7/23.1
C115	4030011810	S.CER C1608 JB 1A 224K-T	B	47.9/21.4
C116	4030016930	S.CER C1005 JB 1A 104K-T	B	20.6/39.2
C120	4030017460	S.CER C1005 JB 1H 102K-T	B	20.6/41
C121	4030017460	S.CER C1005 JB 1H 102K-T	T	51.4/48.7
C123	4030017460	S.CER C1005 JB 1H 102K-T	T	52.2/43.7
C126	4030017460	S.CER C1005 JB 1H 102K-T	T	52.9/45
C127	4030017460	S.CER C1005 JB 1H 102K-T	T	54.5/45.2
C128	4550006970	S.TAN TEESVA0G476M8R	B	34.8/13.8
C129	4550006050	S.TAN TEESVA 0J 106M8R	B	46.7/25.2
C130	4550006050	S.TAN TEESVA 0J 106M8R	B	34.2/19.7
C131	4510010090	S.ELE 10 CE 33 BSS	B	35/48.7
C132	4030017460	S.CER C1005 JB 1H 102K-T	B	38.2/36.8
C133	4550006050	S.TAN TEESVA 0J 106M8R	T	70.5/47.3
C134	4550006050	S.TAN TEESVA 0J 106M8R	T	70.2/45
C135	4510008040	S.ELE EEFCD 0K 330R	B	45.9/30.6
C136	4030017460	S.CER C1005 JB 1H 102K-T	T	



[LOGIC UNIT]

REF NO.	PARTS NO.	DESCRIPTION	M.	H/V LOCATION
C351	4030016930	S.CER C1005 JB 1A 104K-T	B	19.5/22.1
C352	4030016930	S.CER C1005 JB 1A 104K-T	B	18.6/18.9
C400	4030016930	S.CER C1005 JB 1A 104K-T	B	19.7/25.6
C402	4030016930	S.CER C1005 JB 1A 104K-T	B	26.1/20.1
C403	4030017490	S.CER C1608 JB 1A 105K-T	B	33.9/7.5
C404	4030017780	S.CER C1005 JB 1H 472K-T	B	21.2/19.6
C406	4030017780	S.CER C1005 JB 1H 472K-T	B	19.4/27.6
C451	4550006050	S.TAN TEESVA 0J 106M8R	B	10.3/50.9
C452	4520000030	S.NIO NOJB107M004R	B	6.6/33.1
C453	4510010090	S.ELE 10 CE 33 BSS	B	20.2/48.4
C455	4030016930	S.CER C1005 JB 1A 104K-T	B	18.7/42.6
C458	4550000530	S.TAN TEESVA 1V 104M8R	B	12/40.6
C500	4030017460	S.CER C1005 JB 1H 102K-T	B	43.5/50.1
C501	4030017460	S.CER C1005 JB 1H 102K-T	B	40.1/50.1
C503	4030017460	S.CER C1005 JB 1H 102K-T	B	34.6/39.6
C504	4030017460	S.CER C1005 JB 1H 102K-T	T	53.8/49.2
C505	4550002950	S.TAN TEESVA 0J 335M8R	B	29.1/19.3
C506	4030018900	S.CER C1005 JB 0J 474K-T	B	17.9/28.4
C507	4030017460	S.CER C1005 JB 1H 102K-T	B	13.3/36.5
C508	4030017790	S.CER C1005 JB 1H 682K-T	T	53.9/3.1
C510	4030016930	S.CER C1005 JB 1A 104K-T	B	34.3/4.7
C514	4030016930	S.CER C1005 JB 1A 104K-T	B	20/19.6
C515	4030016950	S.CER C1005 JB 1A 473K-T	B	13.2/49.6
C516	4030016930	S.CER C1005 JB 1A 104K-T	B	17.8/26.6
C517	4030016930	S.CER C1005 JB 1A 104K-T	B	19.9/37.1
C518	4030018860	S.CER C1005 JB 0J 105K-T	T	29.5/30.7
C519	4030018860	S.CER C1005 JB 0J 105K-T	B	73.8/49.3
C520	4030016930	S.CER C1005 JB 1A 104K-T	B	20.1/43.1
C521	4030018860	S.CER C1005 JB 0J 105K-T	T	31/27.4
C522	4030018860	S.CER C1005 JB 0J 105K-T	T	30.9/26.5
C523	4030018860	S.CER C1005 JB 0J 105K-T	T	30.7/25.5
C524	4030018860	S.CER C1005 JB 0J 105K-T	B	26/23.4
C525	4030017460	S.CER C1005 JB 1H 102K-T	T	75.9/48.6
C526	4030017460	S.CER C1005 JB 1H 102K-T	T	19.2/4.5
C528	4030016930	S.CER C1005 JB 1A 104K-T	T	29.2/32.5
C529	4030017570	S.CER C1005 CH 1H 040B-T	B	20.5/26.5
C530	4030018860	S.CER C1005 JB 0J 105K-T	T	58.1/2
C531	4030017490	S.CER C1608 JB 1A 105K-T	T	63.7/49
C532	4030017490	S.CER C1608 JB 1A 105K-T	T	58.4/44.8
C533	4030019460	S.CER C1608 JB 0J 106M-T	B	40.6/23.5
C534	4520000030	S.NIO NOJB107M004R	B	11.3/33.1
J2	6450002010	S.CON HSJ1501-011010	B	6.3/25
J3	6510020561	S.CON AXK5S4034YTG	B	27.2/31.3
J500	6450002131	CON 04-730A3-02BKA		
DS1	5030003251	LCD TAK-35455 RX3250 <ITAK>		
DS2	5040003480	S.LED VFY1111C-4BX-4C-TR	T	13.8/48.8
DS3	5040003480	S.LED VFY1111C-4BX-4C-TR	T	14.1/3.2
S6	2250000390	ENC TP90N00E20-16F-1995		
S9	2260001900	SWI SW-149 (SKHLLD)		
S10	2230001070	S.SWI JPM1990-2711R	B	26.3/4.5
W1	7030012290	JUM RDS2T0R0		
W600	7030012290	JUM RDS2T0R0		
EP1	6910020610	S.BEA BLM15BD102SN1D	T	11.1/37.8
EP2	6910020610	S.BEA BLM15BD102SN1D	T	10.9/41.3
EP4	8930058920	LCD SRCN-2605-SP-N-W (SHJ)		
EP10	6910014680	S.BEA MMZ1608Y 121BT	B	11.2/37
EP11	6910014680	S.BEA MMZ1608Y 121BT	B	4/29.9
EP12	6910014690	S.BEA MPZ1608S221A-T	B	33.6/40
EP13	6910014690	S.BEA MPZ1608S221A-T	T	22.7/43.2
EP14	6910014690	S.BEA MPZ1608S221A-T	T	74.9/44.7
EP15	6910014690	S.BEA MPZ1608S221A-T	T	74.7/6.2
EP16	6910020610	S.BEA BLM15BD102SN1D	B	1.8/20.5
EP17	6910018460	S.BEA MMZ1005Y102C-T	T	30.1/32.5
EP18	6910021630	S.BEA BLM18RK102SN1D	B	38/23.5
EP19	6910018460	S.BEA MMZ1005Y102C-T	T	21.3/10.9
EP20	6910018460	S.BEA MMZ1005Y102C-T	T	23.5/9.4
EP21	6910018460	S.BEA MMZ1005Y102C-T	T	23.5/7.8
EP22	6910018460	S.BEA MMZ1005Y102C-T	T	25.5/6.8

M.=Mounted side (T: Mounted on the Top side, B: Mounted on the Bottom side)  
S.=Surface mount

# SECTION 7

# MECHANICAL PARTS

## [CHASSIS PARTS]

REF NO.	ORDER NO.	DESCRIPTION	QTY.
J1	6510027770	3250 ANT CONNECTOR	1
SP1	2510001550	K036NA511-10	1
MP1	8210026020	3250 FRONT PANEL (incl. MP9)	1
MP2	8210026030	3250 REAR PANEL	1
MP3	8110009931	1995 BATT COVER (B)-1	1
MP4	8930080510	3250 7-KEY	1
MP5	8930080520	3250 FUNC RUBBER	1
MP6	8930047610	2127 JACK CAP	1
MP7	8310075670	3250 WINDOW PLATE	1
MP8	8010019092	2605 CHASSIS-2	1
MP9	8930011900	SPEAKER NET (A) (FX-573)	1
MP10	8830000571	STEP NUT (A)-1	1
MP11	8830001091	STEP NUT (D)-1	1
MP12	8930032320	1470 SHAFT	1
MP13	8110009941	1995 LOCK COVER (B)-1	1
MP14	8610010990	KNOB-284 (incl. MP21)	1
MP15	8930044250	1995 BATT SEAL	1
MP16	8930080570	3250 WINDOW SHEET	1
MP17	8930044260	1995 A-TERMINAL	1
MP18	8930044271	1995 B-TERMINAL-1	1
MP19	8930044280	1995 C-TERMINAL	1
MP20	8860001101	1995 ANT RUG-1	1
MP21	8610007510	KNOB SPRING NO.7800	1
MP22	8810009181	OTAP 1FLAT WASHER B0 2X5 NI-ZC3 (BT)	3
MP23	8810009561	SCREW BT B0 2X6 NI-ZK3 (BT)	2
MP24	8930019791	891 RUBBER TERMINAL-1	2
MP26	8930080840	SPONGE (KU)	1
MP28	8930080500	3250 DC CAP	1
MP29	8210026040	3250 REFLECTOR	1
MP30	8930080540	3250 TERMINAL	1
MP31	8930080550	3250 A-TERMINAL	1
MP32	8930080580	3250 WHITE SHEET	1

## [LOGIC UNIT]

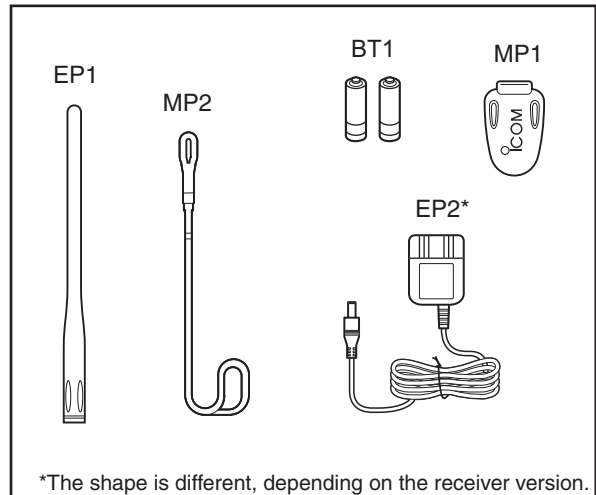
REF NO.	ORDER NO.	DESCRIPTION	QTY.
J2*	6450002010	HSJ1501-011010	1
J3*	6510020561	AXK5S40347YG	1
J500	6450002131	04-730A3-02BKA	1
DS1	5030003251	TAK-35455	1
S6	2250000390	TP90N00E20-16F-1995	1
S9	2260001900	SW-149 (SKHLDD)	1
W1	7030012290	RDS2T0R0	1
W600	7030012290	RDS2T0R0	1
EP4	8930058920	SRCN-2605-SP-N-W	1
MP2	8510014830	2605 SHIELD CASE	1
MP3	8930080530	3250 LCD HOLDER	1
MP4	8810009181	OTAP 1FLAT WASHER B0 2X5 NI-ZC3 (BT)	2
MP5	8510019670	3250 LOGIC SHIELD	1
MP6	8510019640	3250 DC-DC CASE	1
MP7	8930080560	3250 JACK HOLDER	1
MP8	8930080790	3250 A-MAGNETIC SHIELD	1
MP9	8930080800	3250 B-MAGNETIC SHIELD	1
MP10	8930080860	INSULATION SHEET (MR) [EUR], [UK], [ITA], [USA], [FRA], [ESP], [CAN], [EUR-01], [ITA-01], [USA-01], [FRA-01], [ESP-01], [CAN-01] only	1

## [RF UNIT]

REF NO.	ORDER NO.	DESCRIPTION	QTY.
J1*	6510020121	AXK6S40547YG	1
EP2	3310003010	KY-058-006-2	1
MP1*	8510019650	3250 VCO CASE	1
MP2	8510019660	3250 VCO COVER	3
MP5	8510019680	3250 RF B-SHIELD	1
MP8*	8510019650	3250 VCO CASE	1
MP9*	8510019650	3250 VCO CASE	1
MP10*	6910014760	OG-503040	1
MP11	8510019740	3250 SHIELD PLATE [EUR], [UK], [ITA], [USA], [FRA], [ESP], [CAN], [EUR-01], [ITA-01], [USA-01], [FRA-01], [ESP-01], [CAN-01] only	1
MP12	8930080810	3250 C-MAGNETIC SHIELD	1
MP13	8930080820	3250 D-MAGNETIC SHIELD	1
MP14	8930080850	CU SHEET (X)	1
MP15	8930063280	DOUBLE SIDE TAPE (AP)	1
MP16	8930076930	INSULATION SHEET (MH) [EUR], [UK], [ITA], [USA], [FRA], [ESP], [CAN], [EUR-01], [ITA-01], [USA-01], [FRA-01], [ESP-01], [CAN-01] only	1

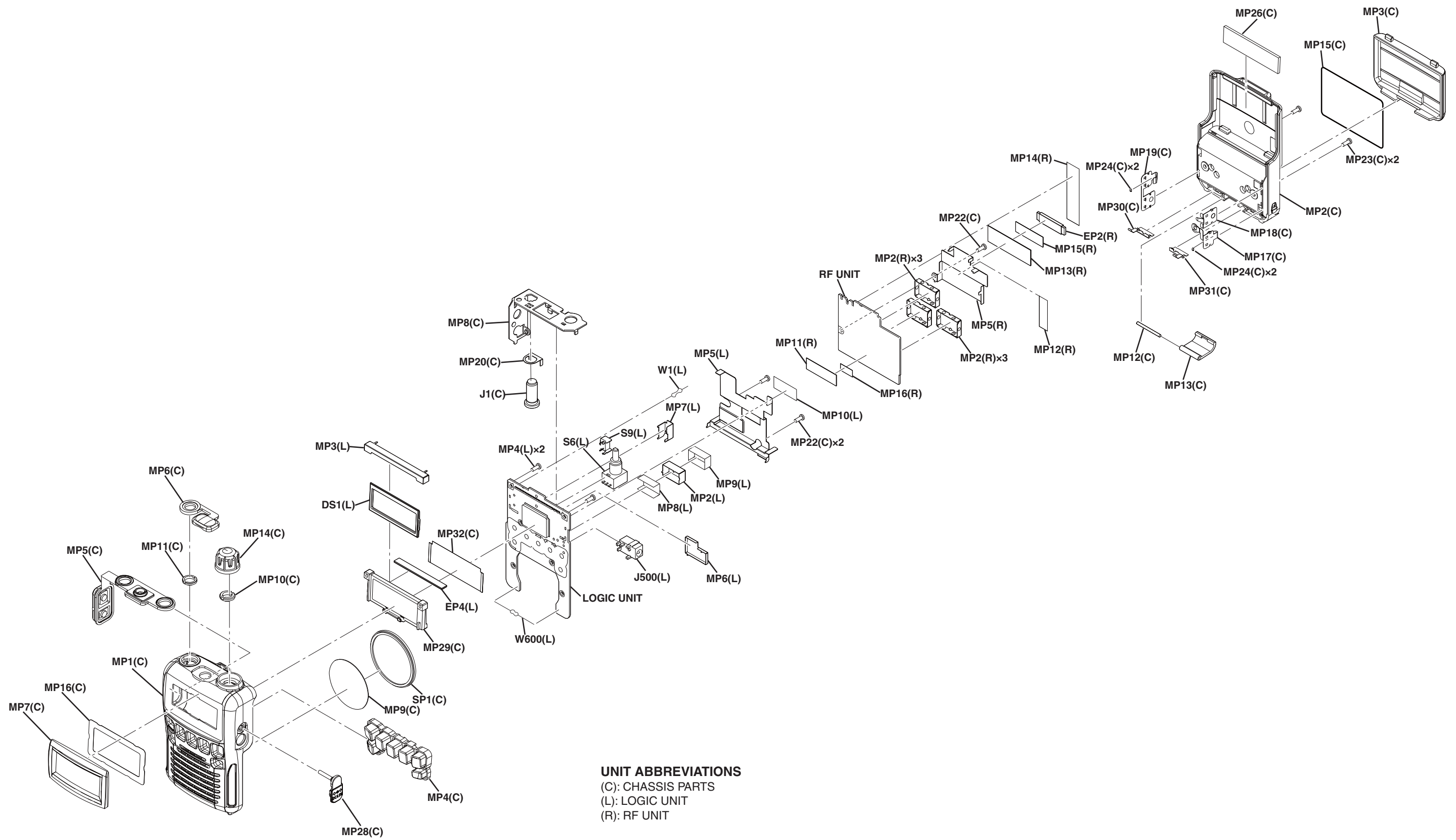
## [ACCESSORIES]

REF NO.	ORDER NO.	DESCRIPTION	QTY.
BT1	3040000050	H-AA1400A-EXP [EUR-01], [CHN-01], [ITA-01], [USA-01], [FRA-01],[ESP-01], [CAN-01] only	2
EP1	3310002150	FA-S270C	1
EP2	0800011980	BC-196SD [EUR-01], [ITA-01], [FRA-01], [ESP-01]	1
	5930001650	BC-153SC [CHN-01]	1
	0800011970	BC-196SA [USA-01], [CAN-01]	1
MP1	8930044191	1995 BELT CLIP-1	1
MP2	8010018080	STRAP HK-009	1



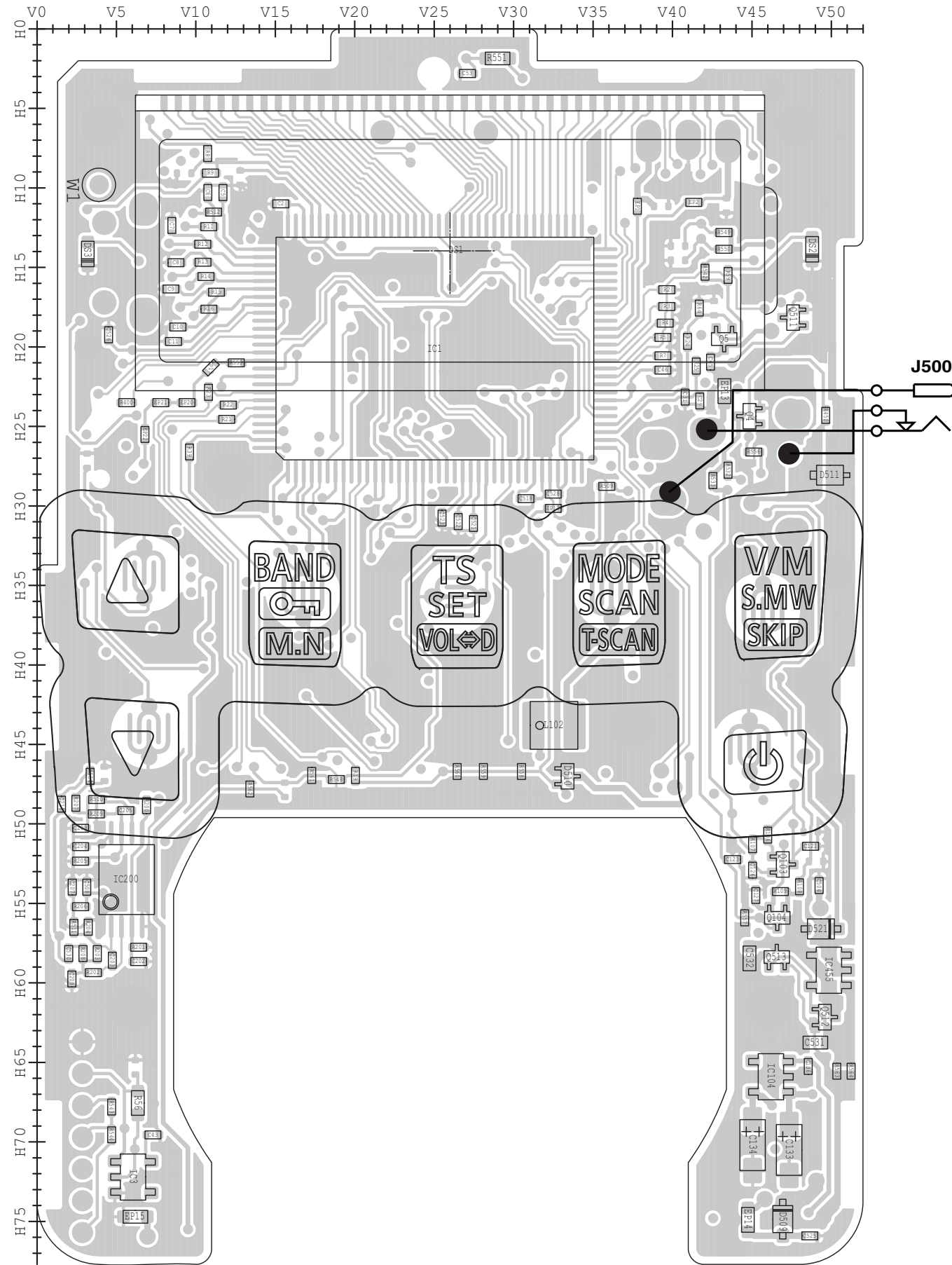
\*: Refer to "BOARD LAYOUTS" for the location.

Screw abbreviations A, B0, BT: Self-tapping PH: Pan head ZK: Black NI-ZU: Nickel-Zinc SUS: Stainless

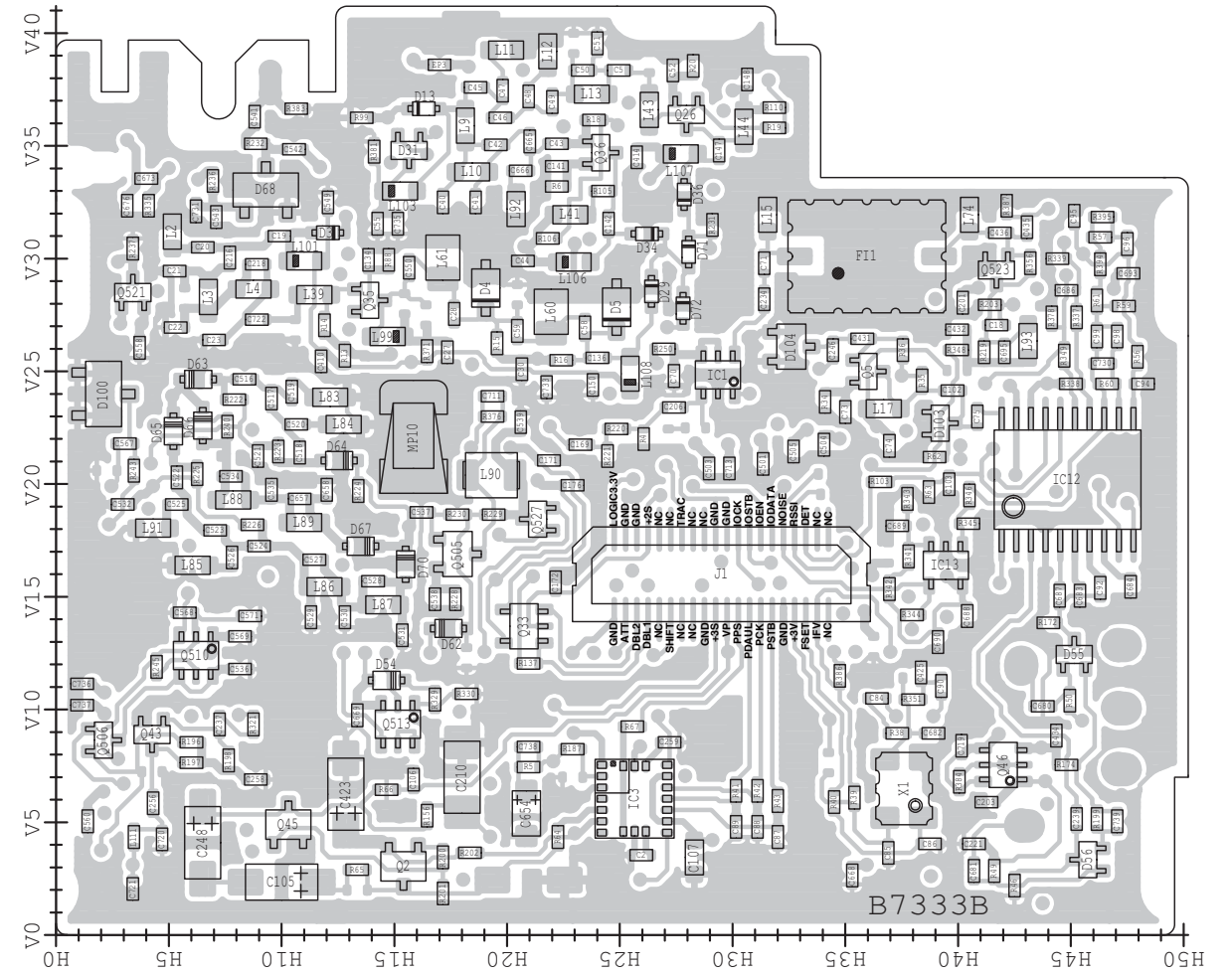


**UNIT ABBREVIATIONS**  
(C): CHASSIS PARTS  
(L): LOGIC UNIT  
(R): RF UNIT

• LOGIC UNIT  
(TOP VIEW)



• RF UNIT  
(TOP VIEW)



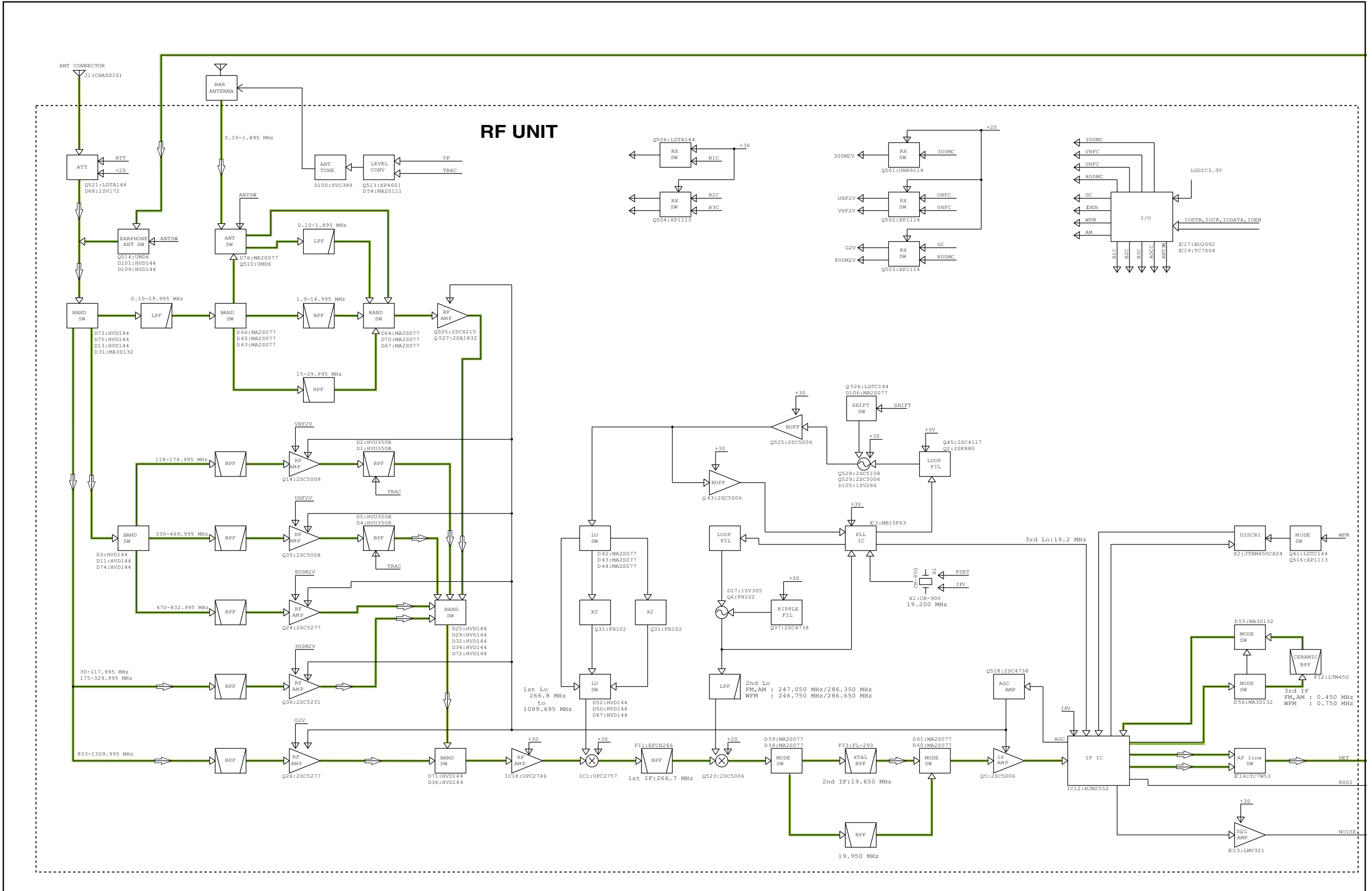




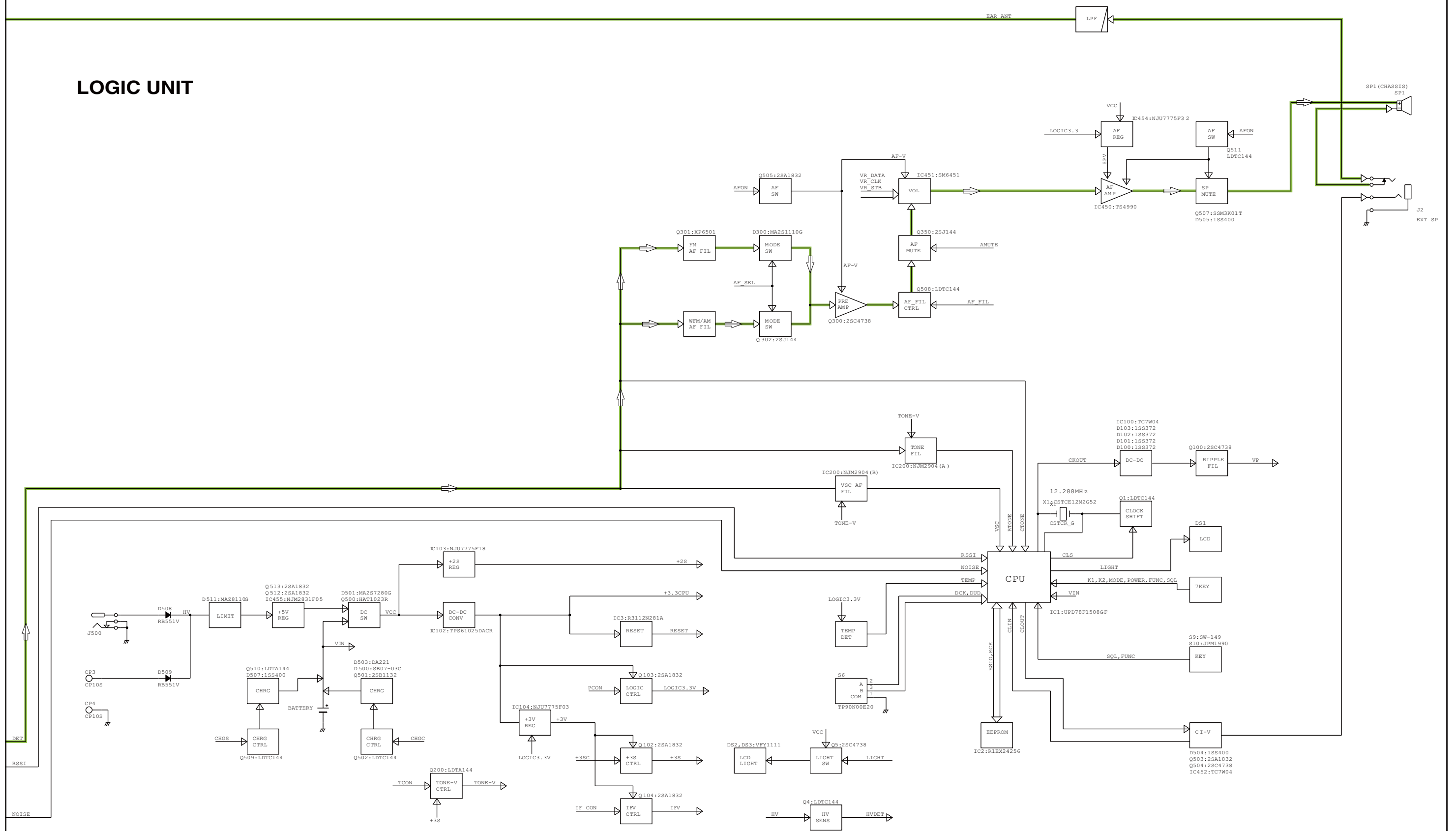


# SECTION 9

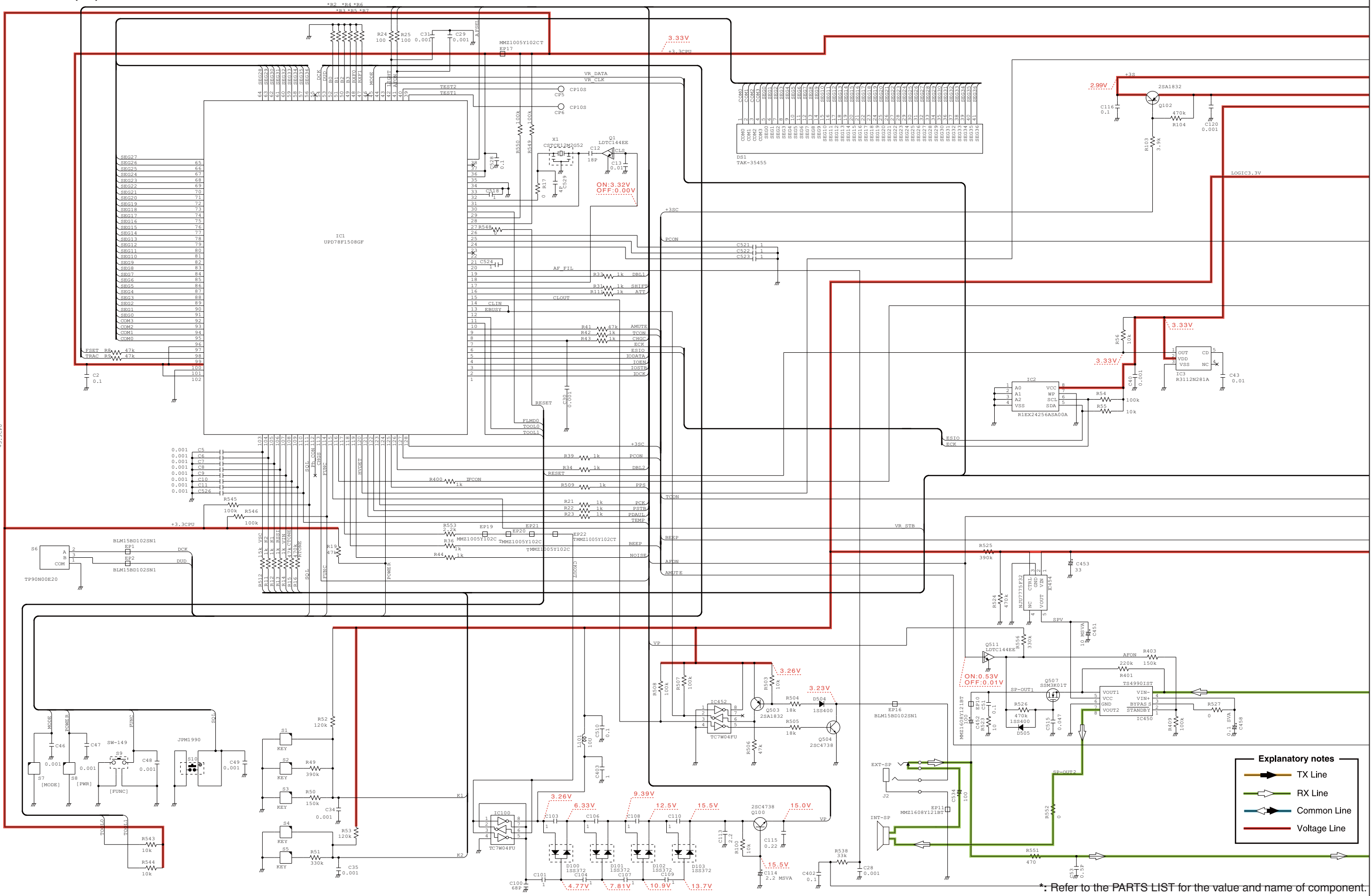
# BLOCK DIAGRAM



# LOGIC UNIT

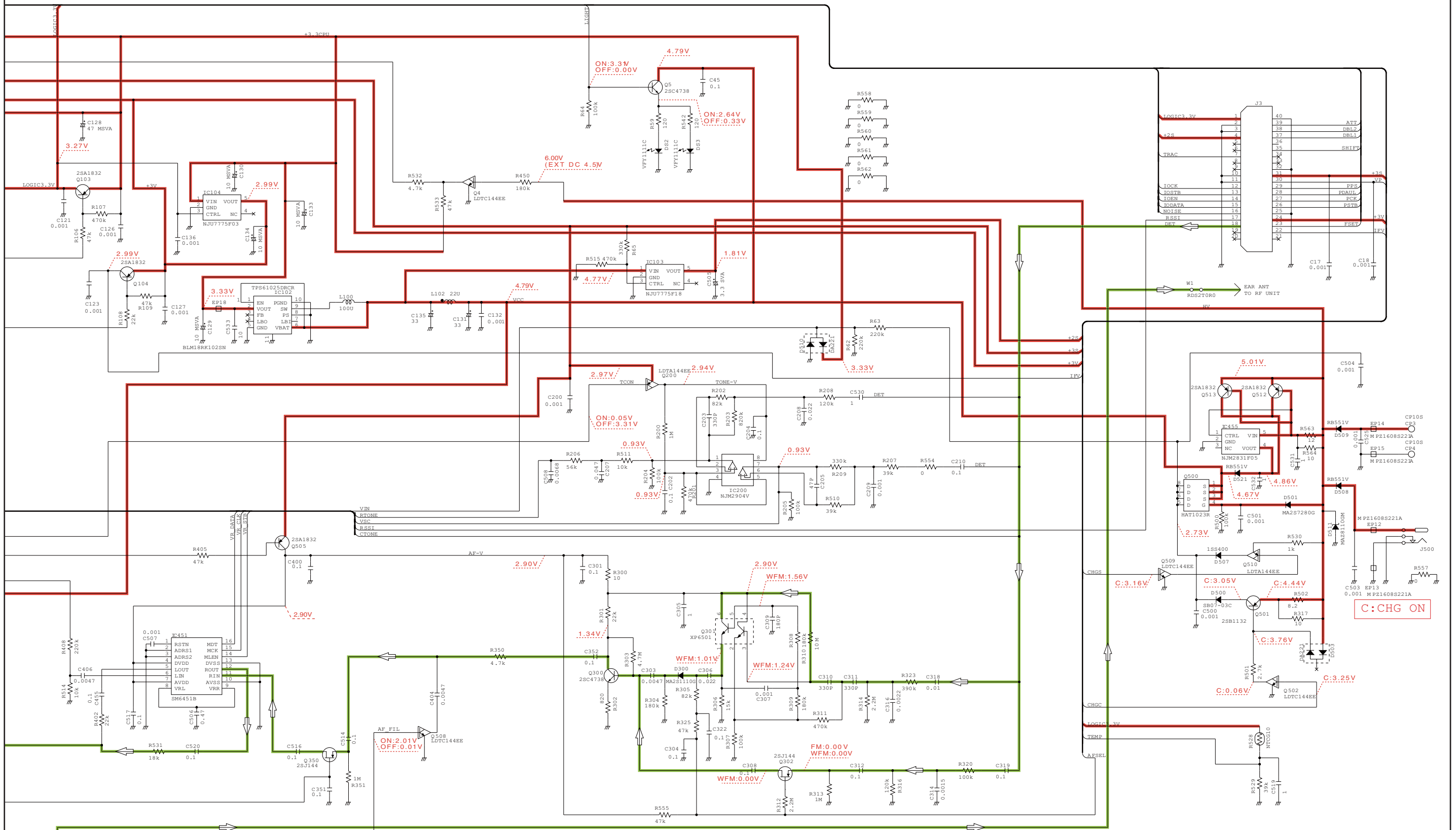


LOGIC UNIT (1/2)



\*: Refer to the PARTS LIST for the value and name of component.

# LOGIC UNIT (2/2)



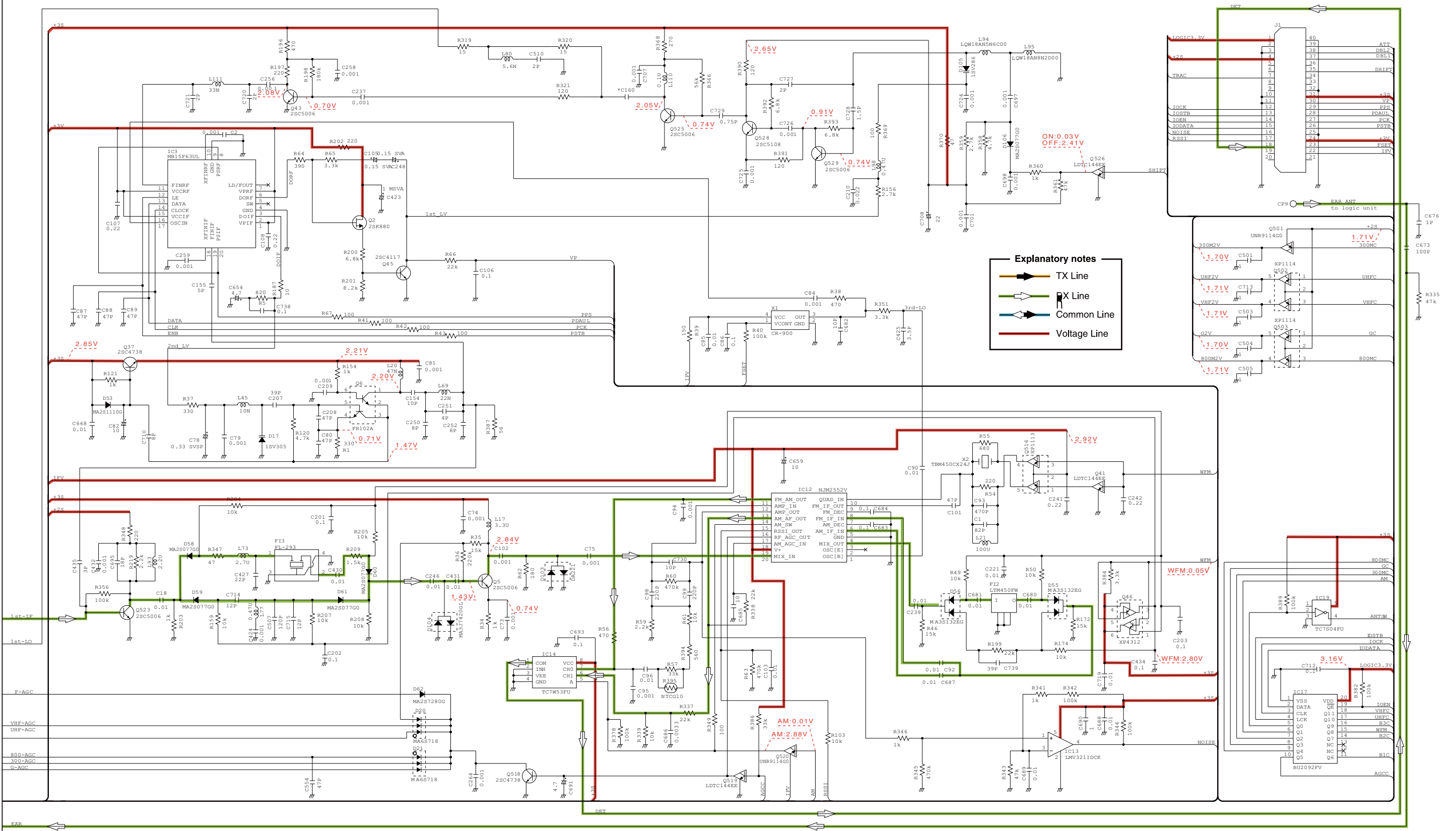
**Explanatory notes**

- TX Line
- RX Line
- Common Line
- Voltage Line

\*: Refer to the PARTS LIST for the value and name of component.



RF UNIT (2/2)



\*: Refer to the PARTS LIST for the value and name of component.



## Icom Inc.

1-1-32, Kamiminami, Hirano-ku, Osaka 547-0003, Japan  
Phone : +81 (06) 6793 5302  
Fax : +81 (06) 6793 0013  
URL : <http://www.icom.co.jp/world/index.html>

### Icom America Inc.

<Corporate Headquarters>  
2380 116th Avenue N.E., Bellevue, WA 98004, U.S.A.  
Phone : +1 (425) 454-8155 Fax : +1 (425) 454-1509  
URL : <http://www.icomamerica.com>  
E-mail : [sales@icomamerica.com](mailto:sales@icomamerica.com)  
<Customer Service>  
Phone : +1 (425) 454-7619

### Icom Canada

Glenwood Centre #150-6165  
Highway 17 Delta, B.C., V4K 5B8, Canada  
Phone : +1 (604) 952-4266 Fax : +1 (604) 952-0090  
URL : <http://www.icomcanada.com>  
E-mail : [info@icomcanada.com](mailto:info@icomcanada.com)

### Icom (Australia) Pty. Ltd.

Unit 1 / 103 Garden Road, Clayton VIC 3168 Australia  
Phone : +61 (03) 9549-7500 Fax : +61 (03) 9549-7505  
URL : <http://www.icom.net.au>  
E-mail : [sales@icom.net.au](mailto:sales@icom.net.au)

### Icom New Zealand

146A Harris Road, East Tamaki,  
Auckland, New Zealand  
Phone : +64 (09) 274 4062 Fax : +64 (09) 274 4708  
URL : <http://www.icom.co.nz>  
E-mail : [inquiries@icom.co.nz](mailto:inquiries@icom.co.nz)

### Beijing Icom Ltd.

10C07, Long silver Mansion, No.88, Yong Ding  
Road, Haidian District, Beijing, 100039, China  
Phone : +86 (010) 5889 5391/5392/5393  
Fax : +86 (010) 5889 5395  
E-mail : [bjicom@bjicom.com](mailto:bjicom@bjicom.com)  
URL : <http://www.bjicom.com>

### Icom (Europe) GmbH

Communication Equipment  
Auf der Krautweide 24  
65812 Bad Soden am Taunus, Germany  
Phone : +49 (6196) 76685-0 Fax : +49 (6196) 76685-50  
URL : <http://www.icomeurope.com>  
E-mail : [info@icomeurope.com](mailto:info@icomeurope.com)

### Icom Spain S.L

Ctra. Rubi, No. 88 Bajos A 08174, Sant Cugat del Valles, Barcelona, Spain  
Phone : +34 (93) 590 26 70 Fax : +34 (93) 589 04 46  
URL : <http://www.icomspain.com>  
E-mail : [icom@icomspain.com](mailto:icom@icomspain.com)

### Icom (UK) Ltd.

Blacksole House, The Boulevard, Altira Business Park, Herne Bay, CT6 6GZ, UK  
Phone : +44 (01227) 741741 Fax : +44 (01227) 741742  
URL : <http://www.icomuk.co.uk>  
E-mail : [info@icomuk.co.uk](mailto:info@icomuk.co.uk)

### Icom France s.a.s.

Zac de la Plaine  
1 Rue Brindejonc des Moulinais BP 5804  
31505 Toulouse Cedex, France  
Phone : +33 (5) 61 36 03 03 Fax : +33 (5) 61 36 03 00  
URL : <http://www.icom-france.com>  
E-mail : [icom@icom-france.com](mailto:icom@icom-france.com)

### Asia Icom Inc.

6F No.68, Sec. 1 Cheng-Teh Road, Taipei, Taiwan, R.O.C.  
Phone : +886 (02) 2559 1899 Fax : +886 (02) 2559 1874  
URL : <http://www.asia-icom.com>  
E-mail : [sales@asia-icom.com](mailto:sales@asia-icom.com)

### Icom Polska

81-850 Sopot, ul. 3 Maja 54, Poland  
Phone : +48 (58) 550 7135 Fax : +48 (58) 551 0484  
E-mail : [icompolska@icompolska.com.pl](mailto:icompolska@icompolska.com.pl)

**Count on us!**

**Icom Inc.**

1-1-32, Kamiminami, Hirano-ku, Osaka 547-0003, Japan

S-14622XZ-C1  
© 2010 Icom Inc.